

## 1977 Arm

### Assembly | User Guide

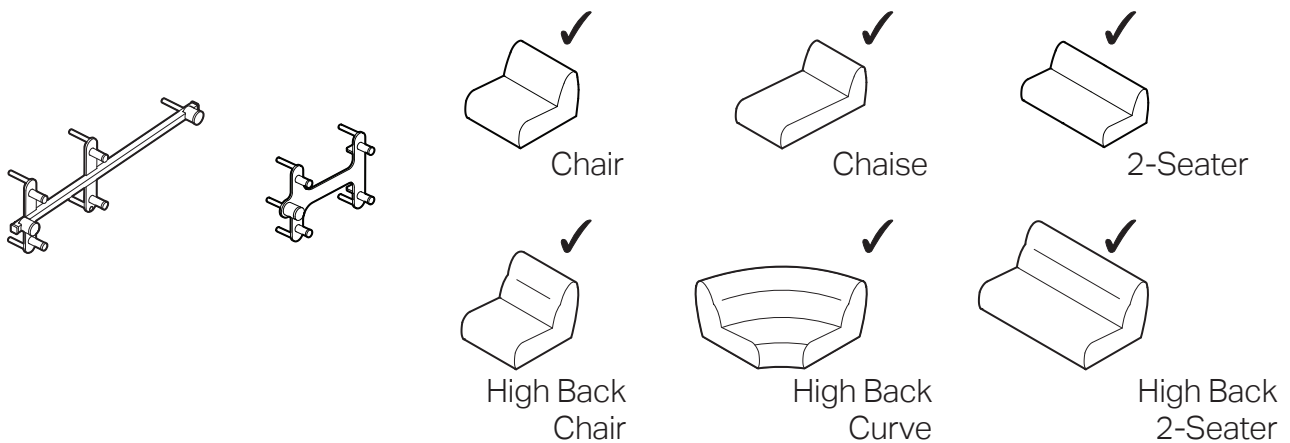
#### Opening Boxes:

DO NOT use a knife to open the packaging as you may damage your furniture. Peel off the tape, then lift & separate the cardboard flaps to open.

Assemble your furniture by following the instructions below.

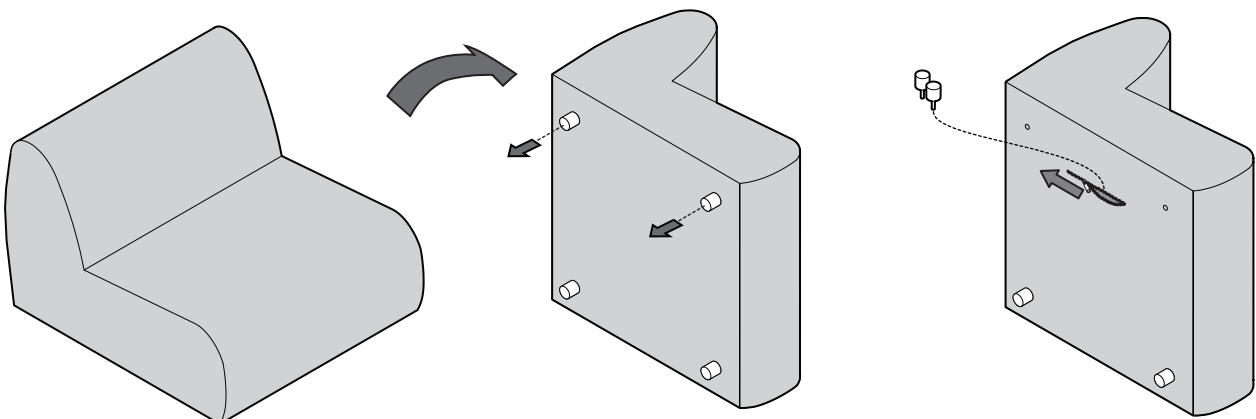
#### Arm Bracket

Compatible\* for left-hand or right-hand configurations:



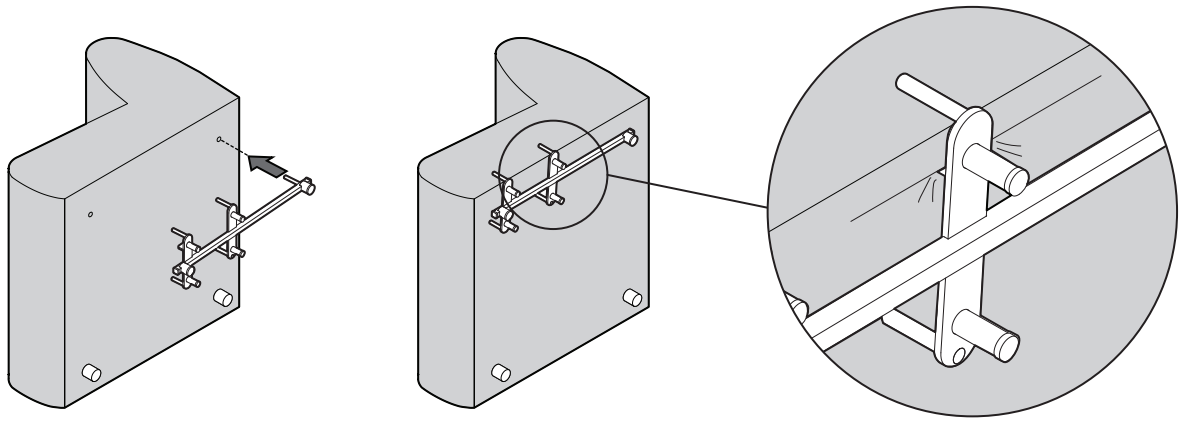
\*Arm Bracket compatible with Standard Fixed Height Legs only: 45mm (1.75")  
Not compatible with Height Adjustable Legs

1

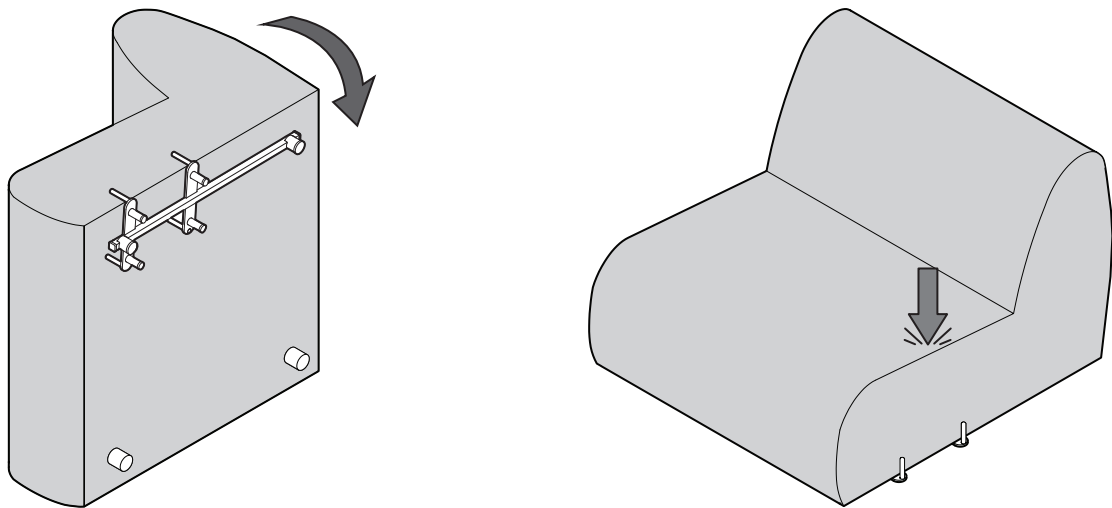


2

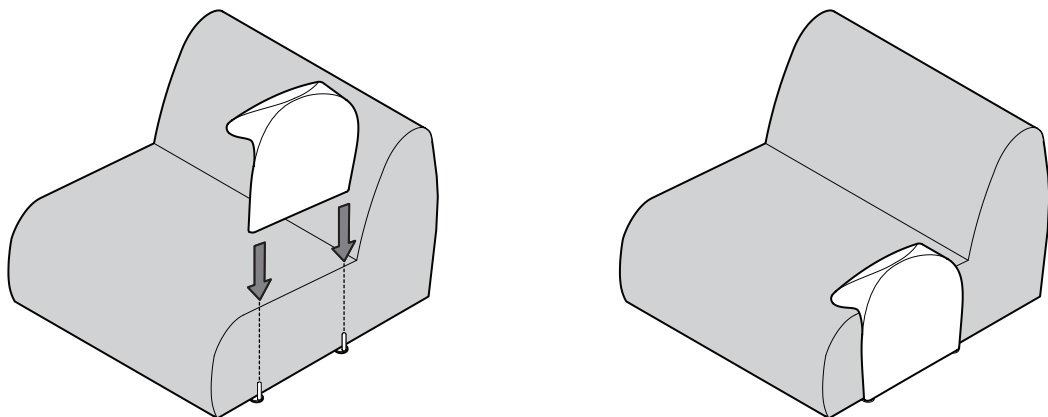
Long Bracket Assembly



3

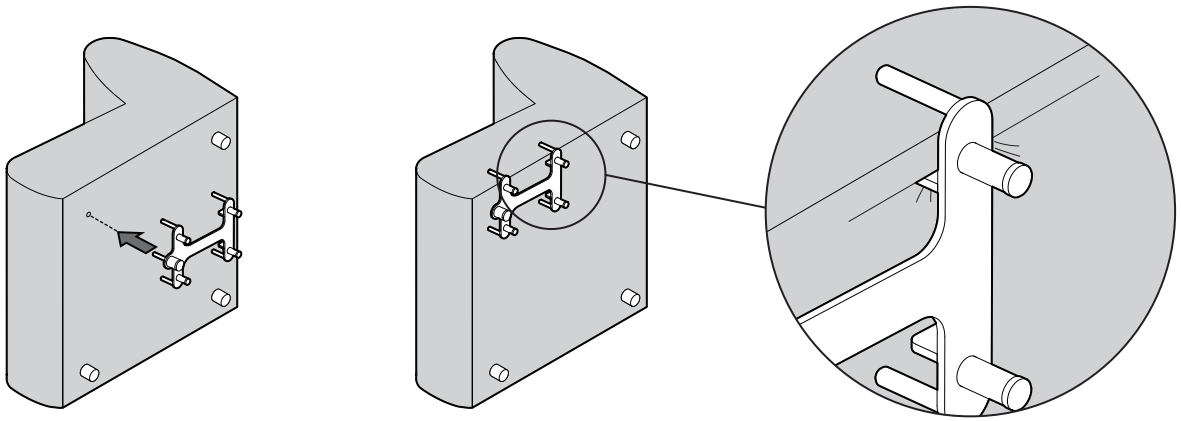


4

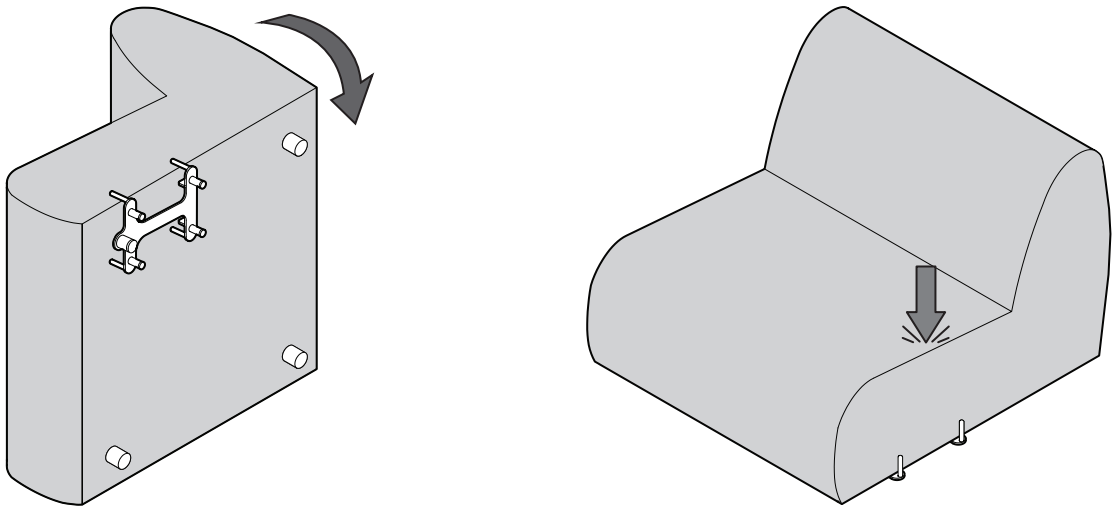


5

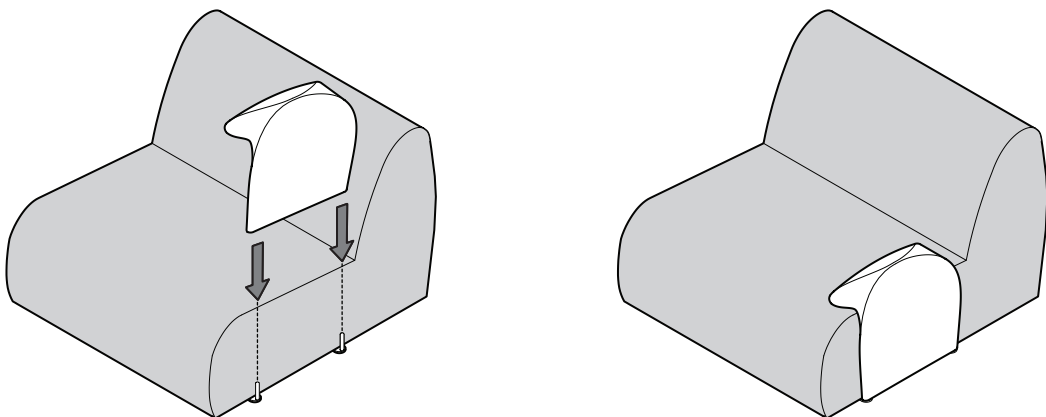
Short Bracket Assembly



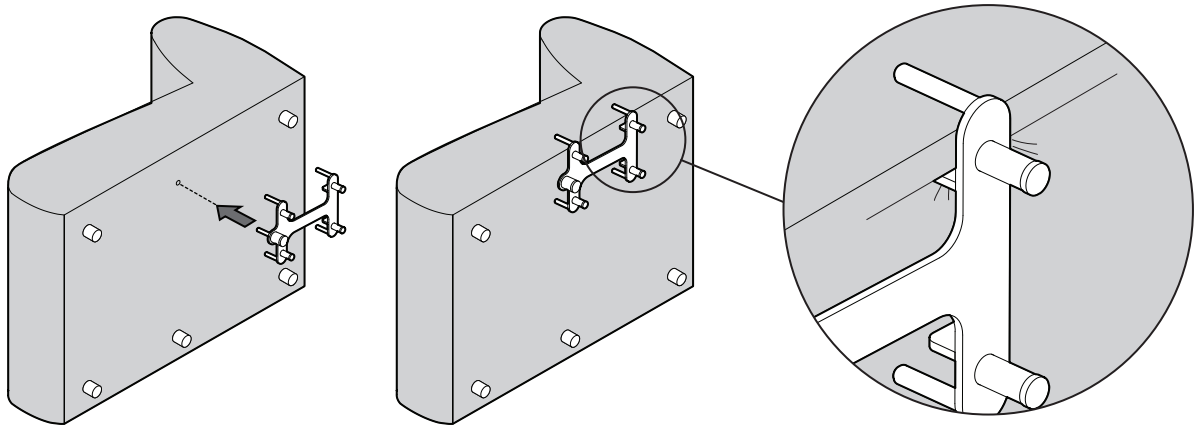
6



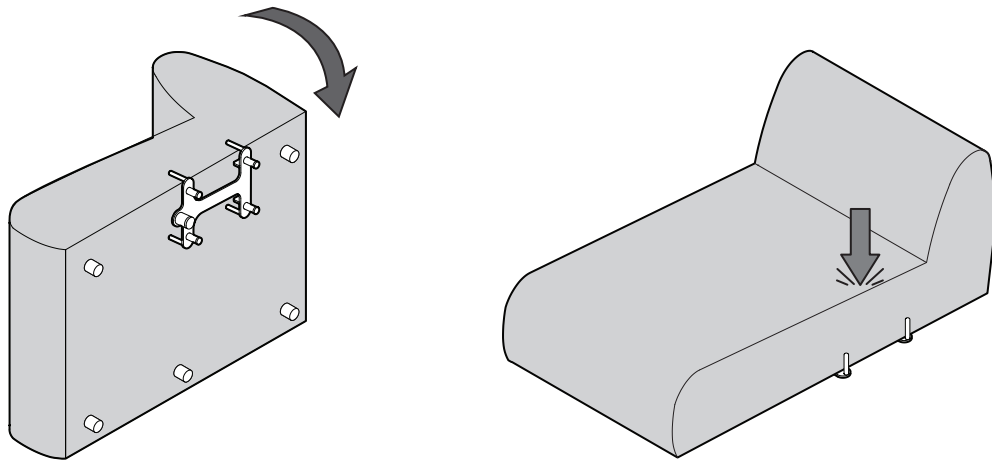
7



8



9



10

