

## 1977 Outdoor Sofa Assembly | User Guide

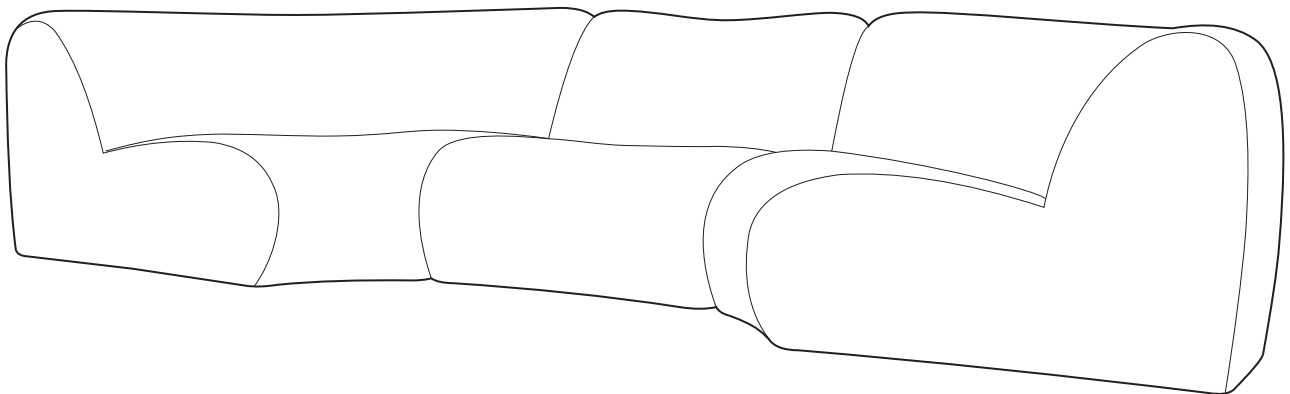


Product Care

**Two people required for safe assembly**

**Opening Boxes:** DO NOT use a knife to open the packaging as you may damage your furniture. Peel-off the tape, then lift and separate the cardboard flaps to open.

**Please follow these Assembly | User Guide Instructions**

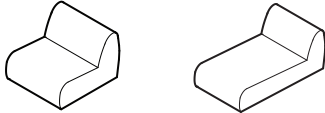


## Contents

---

Assembly ..... 3

### Recovering Instructions

Chair | Chaise  ..... 4

Curve  ..... 10

### Arm Installation

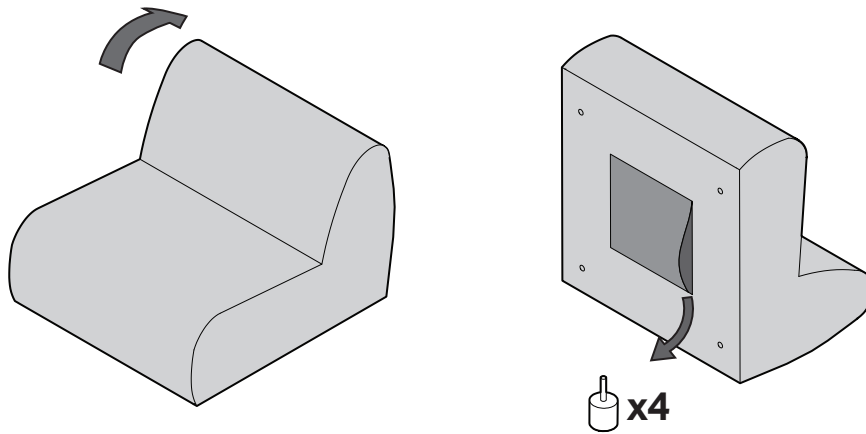
Chair  ..... 15

Chaise  ..... 17

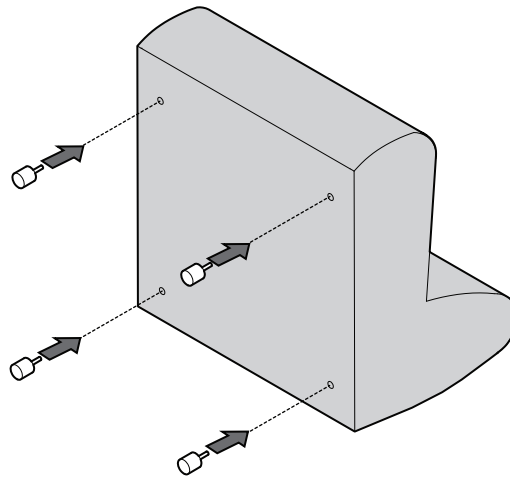
Curve  ..... 19

## Assembly

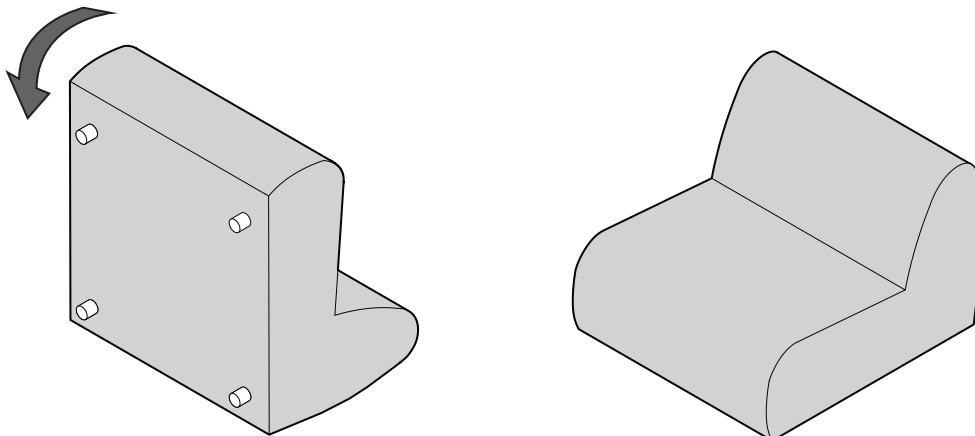
1



2

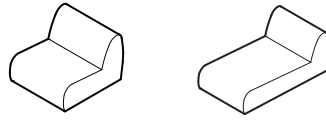


3

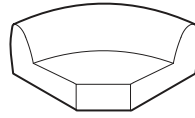


## Recovering Instructions

See Instruction Steps: Chair | Chaise

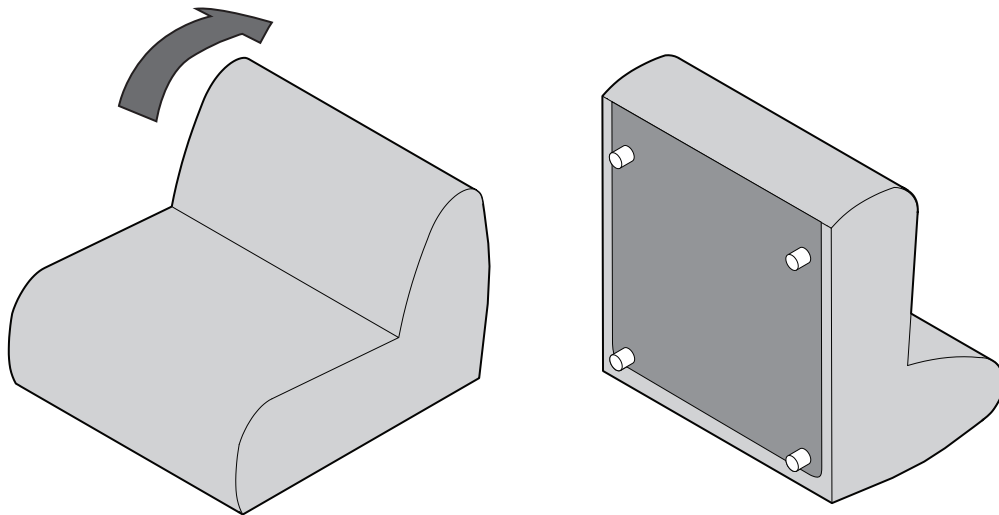


See Instruction Steps: Corner | Curve

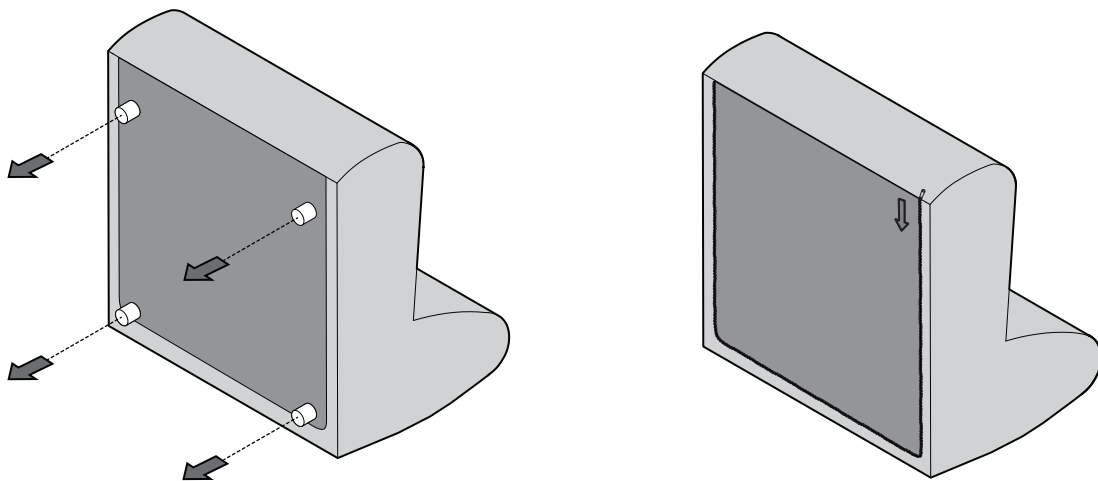


### Cover Removal: Chair | Chaise

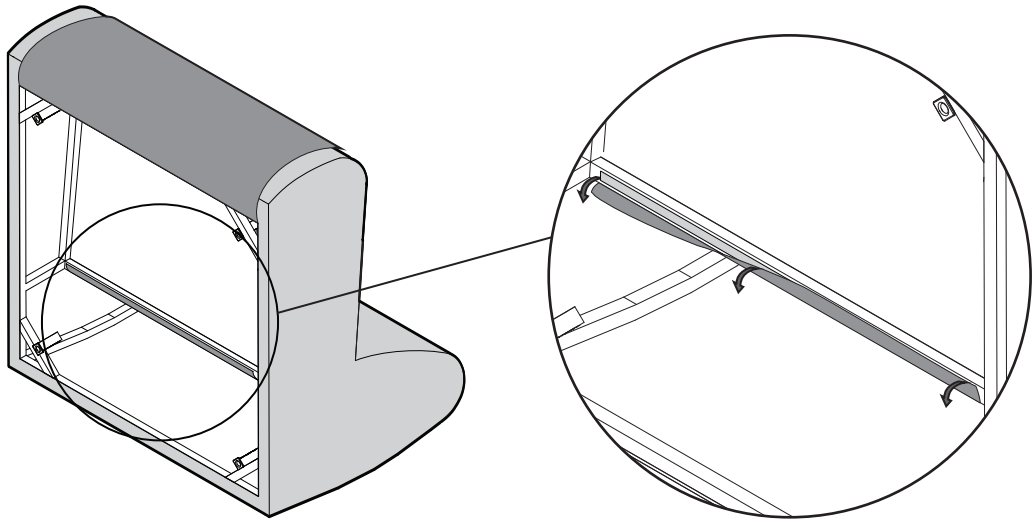
1



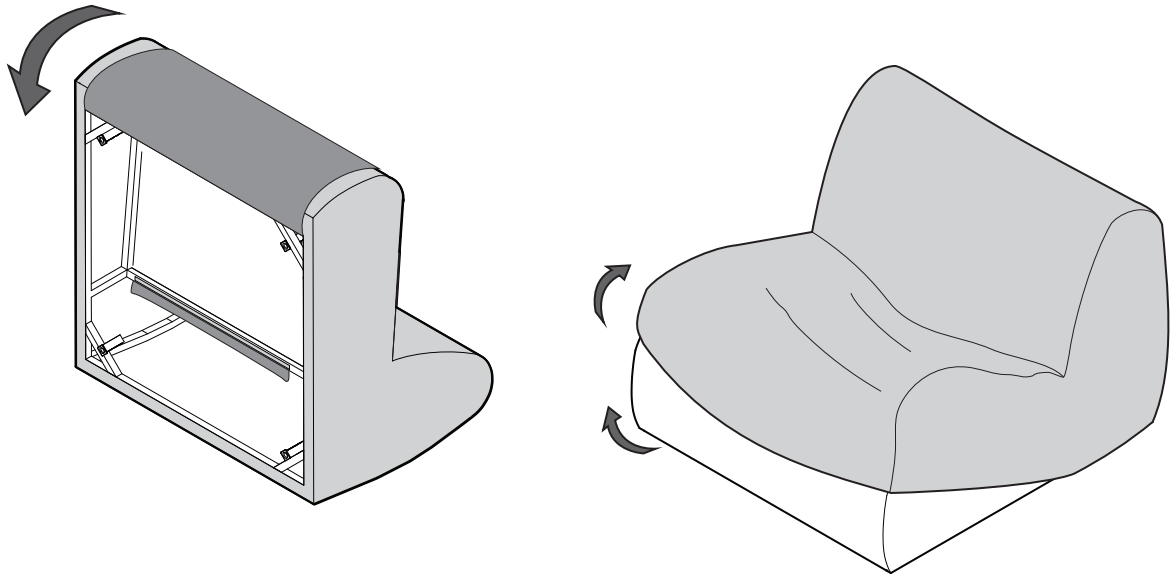
2



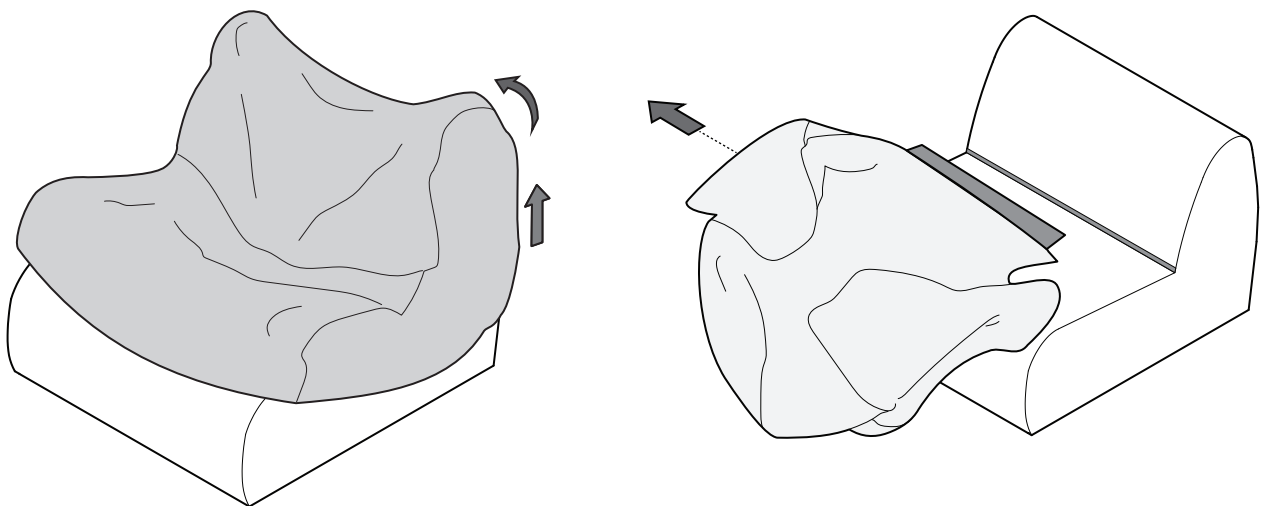
3



4

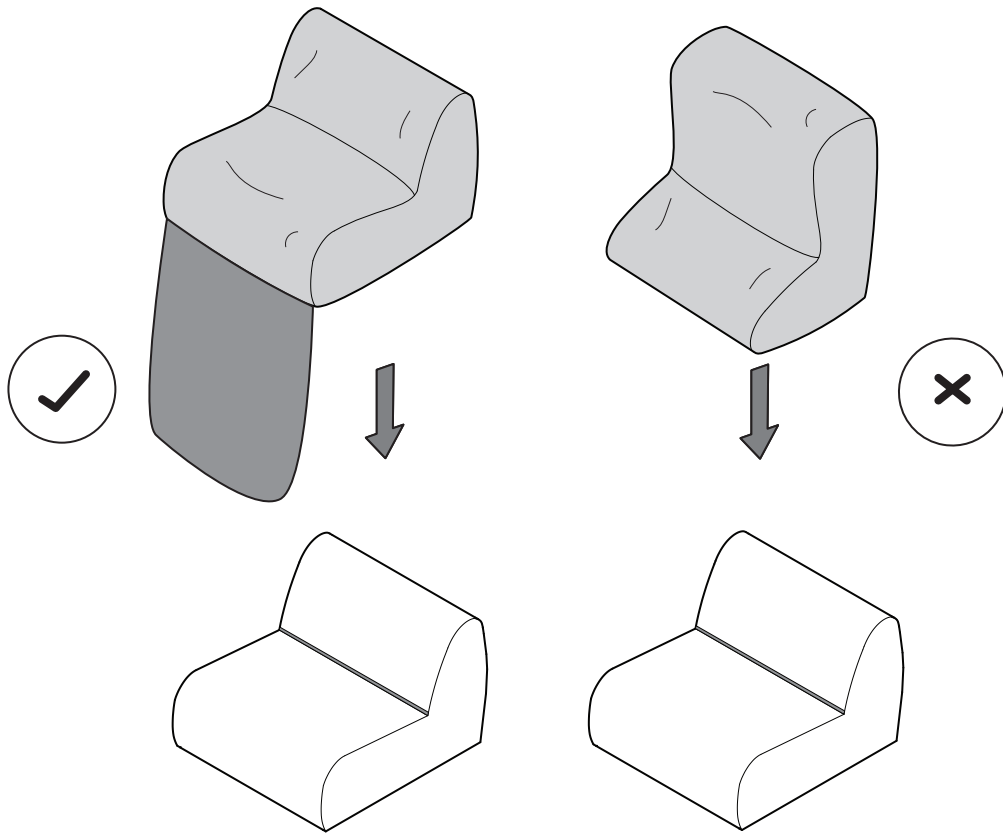


5



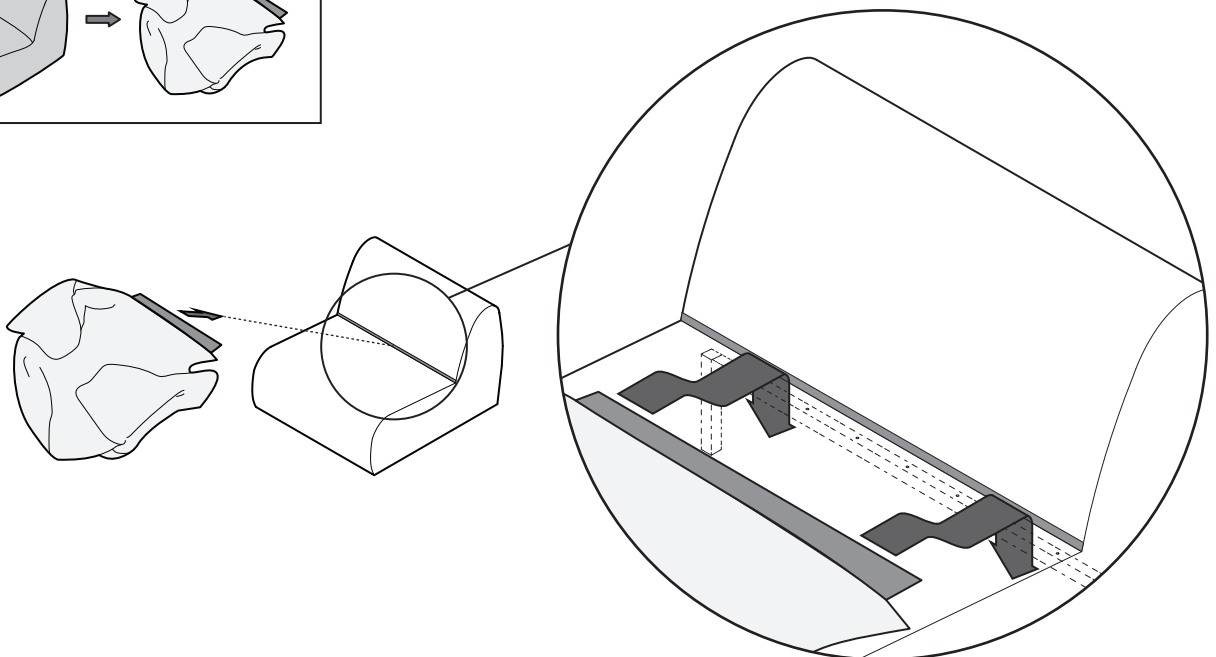
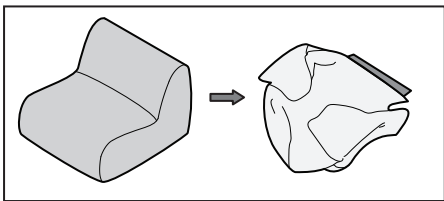
## Cover Installation: Chair | Chaise | 2-Seater

1

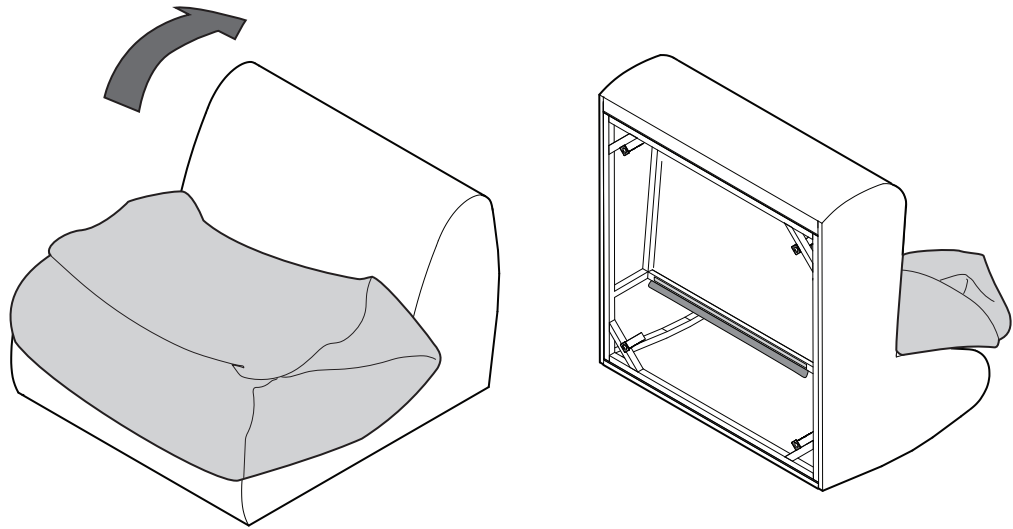


Line up side panels of cover and module before applying cover

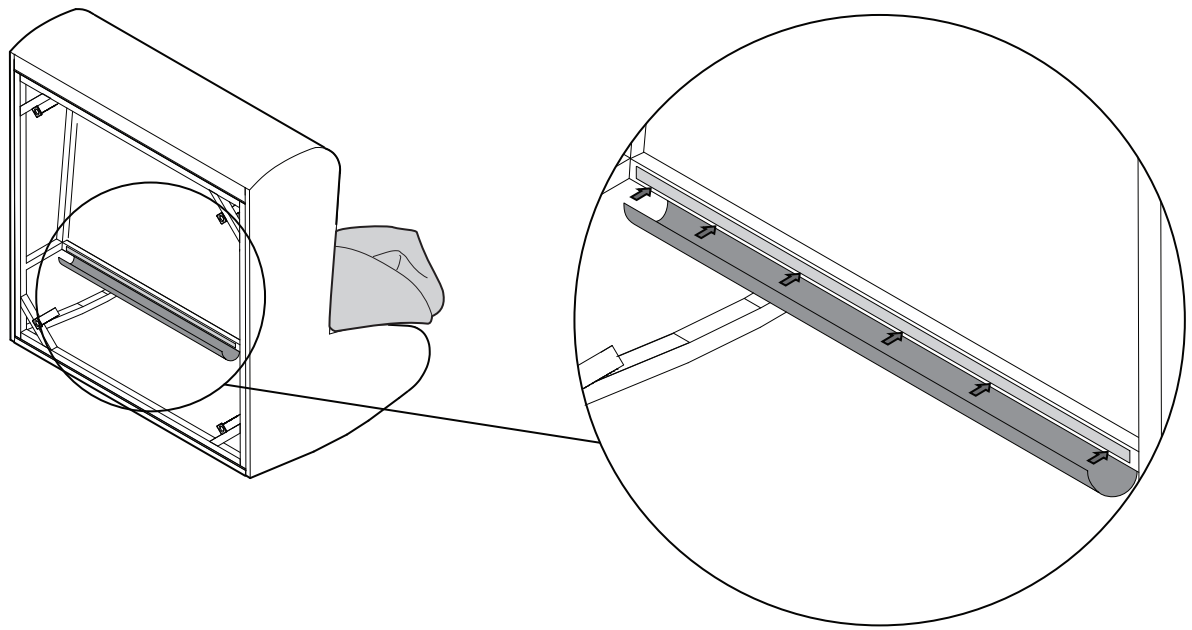
2



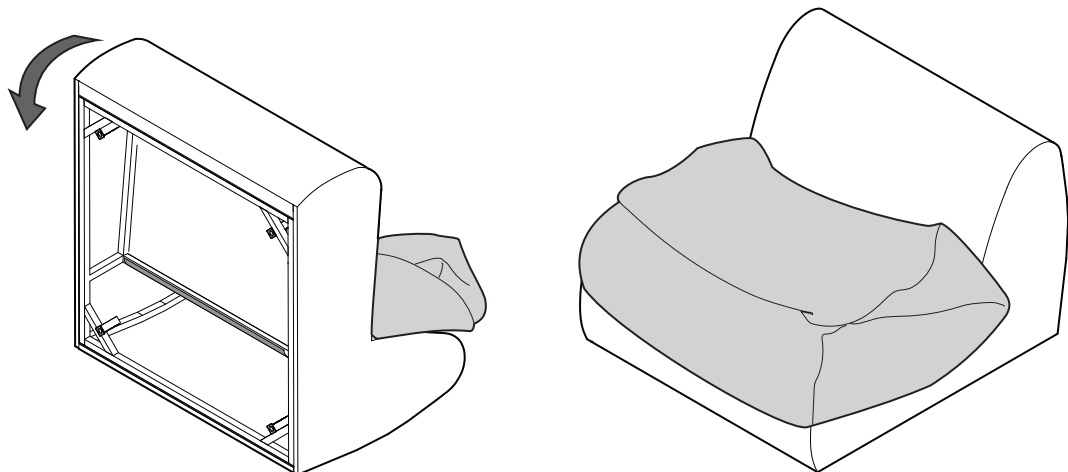
3



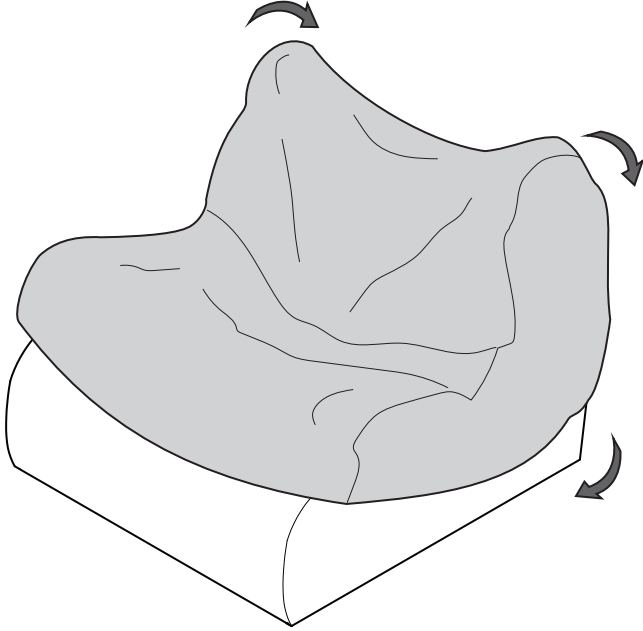
4



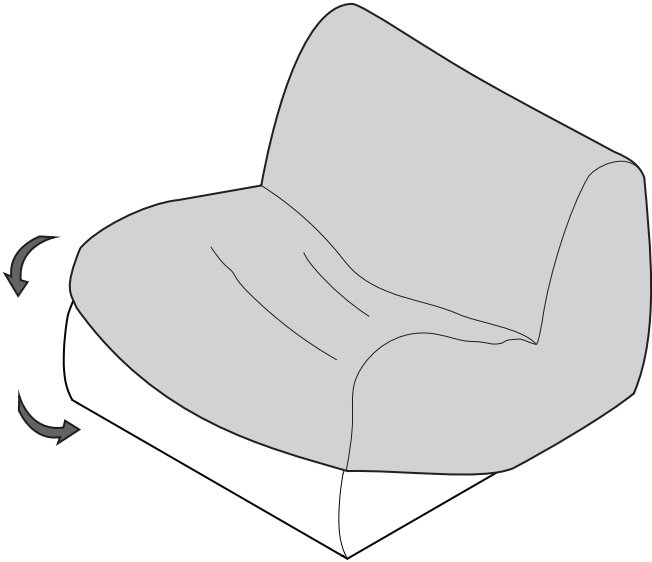
5



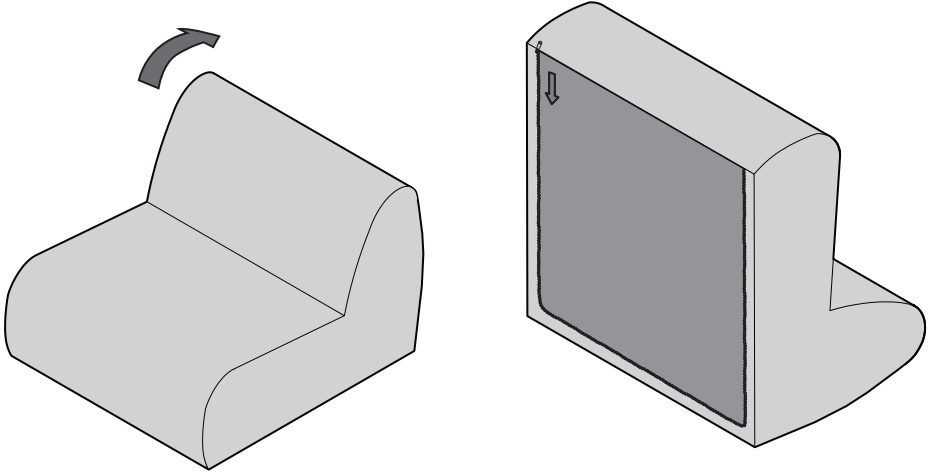
6



7

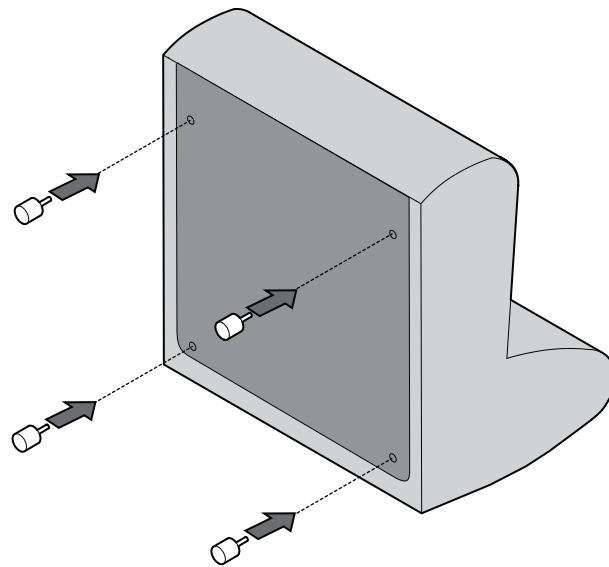


8

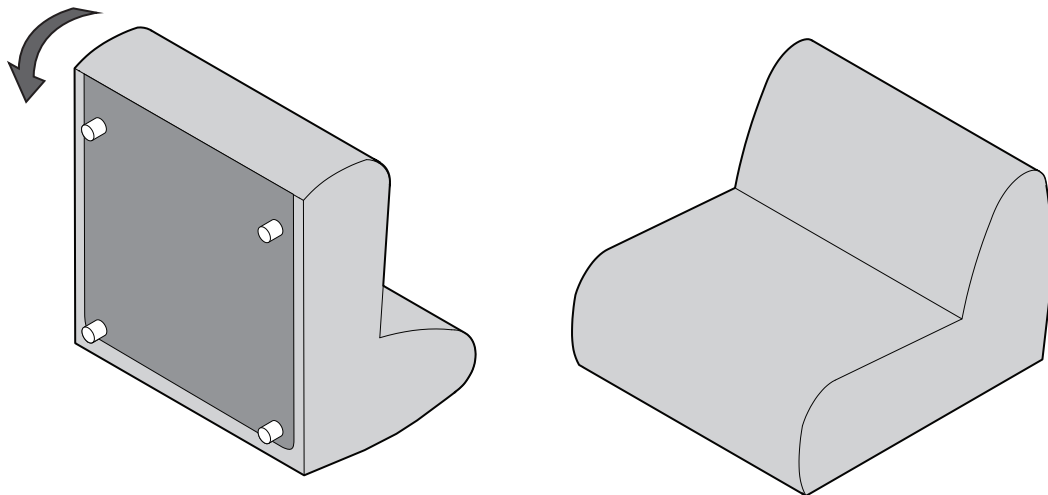




9

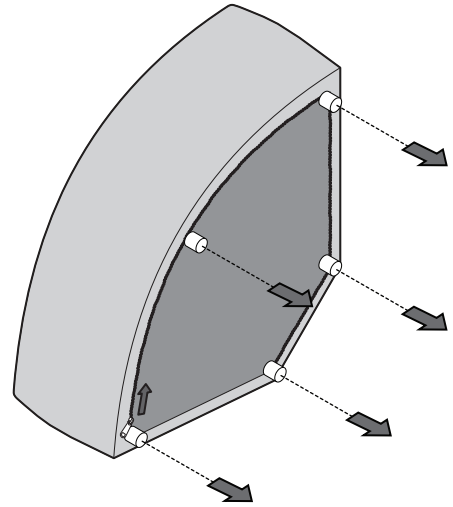
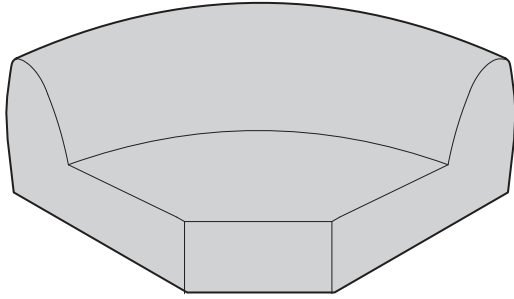


10

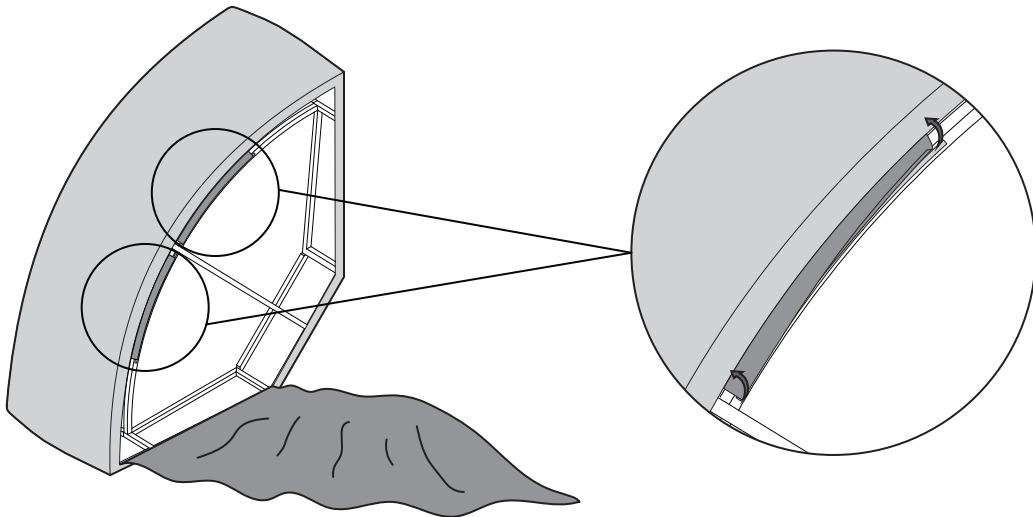


## Cover Removal: Curve

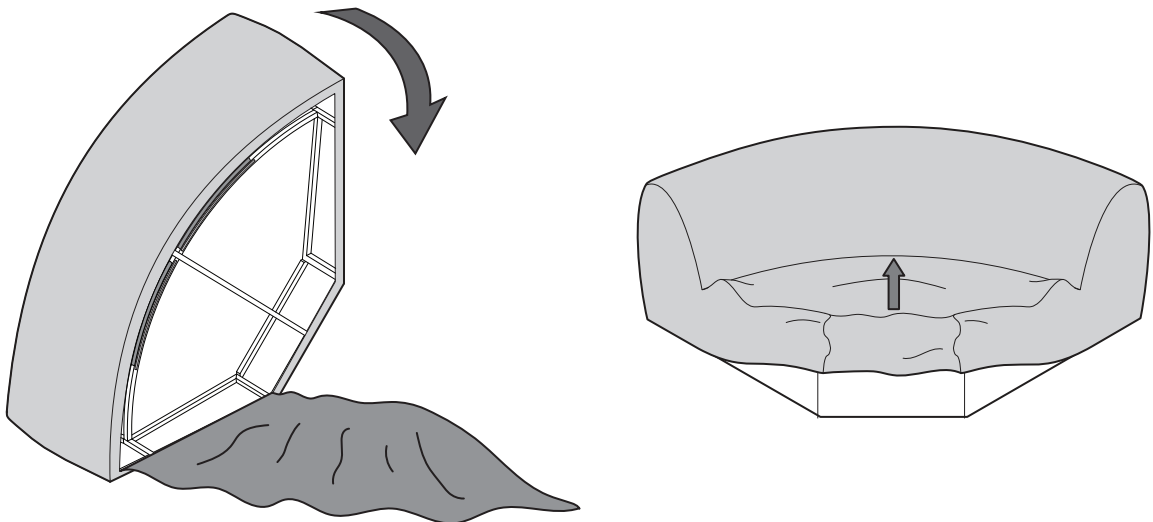
1



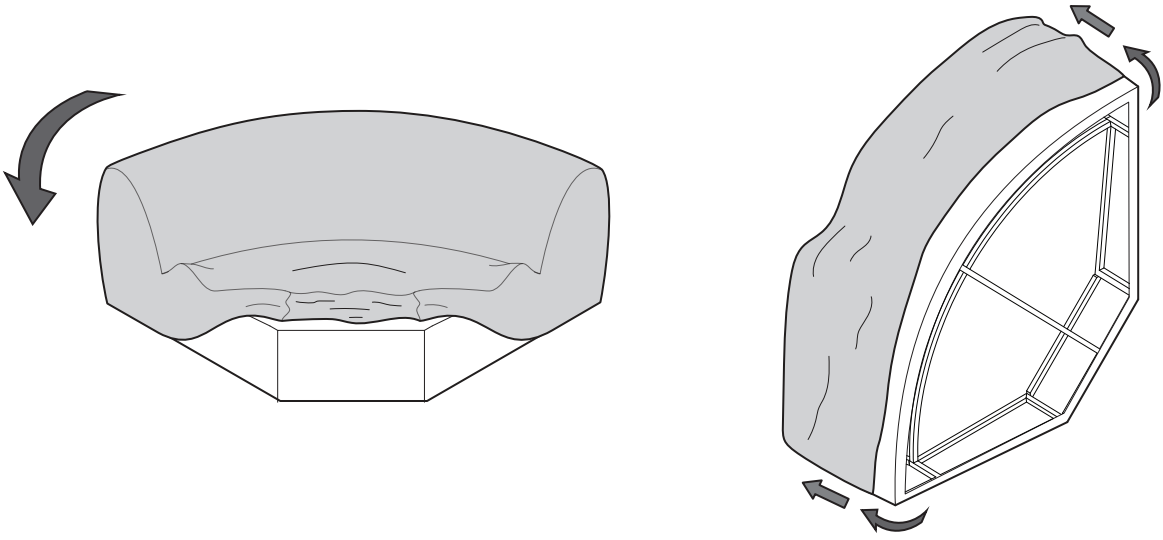
2



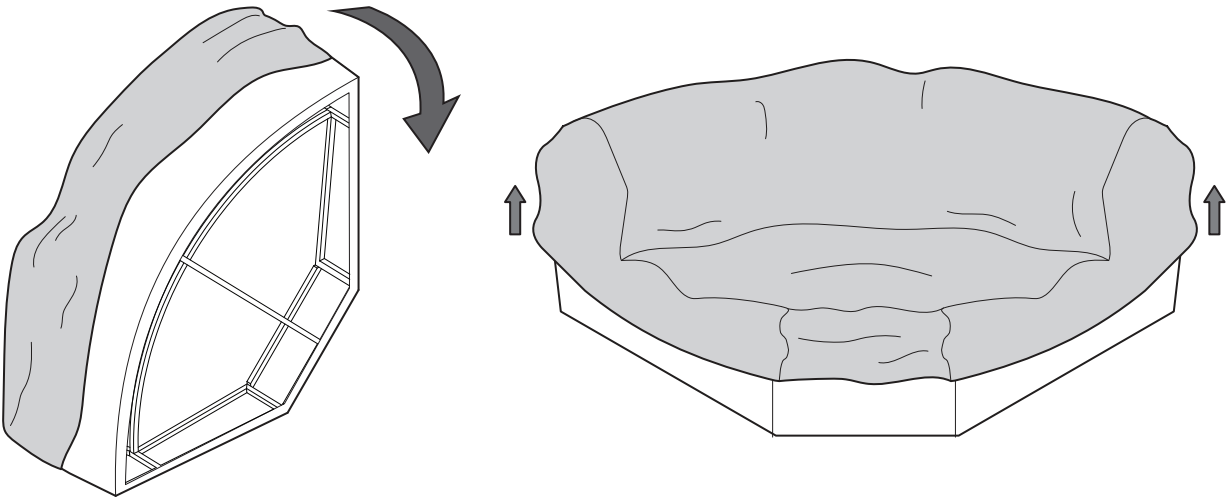
3



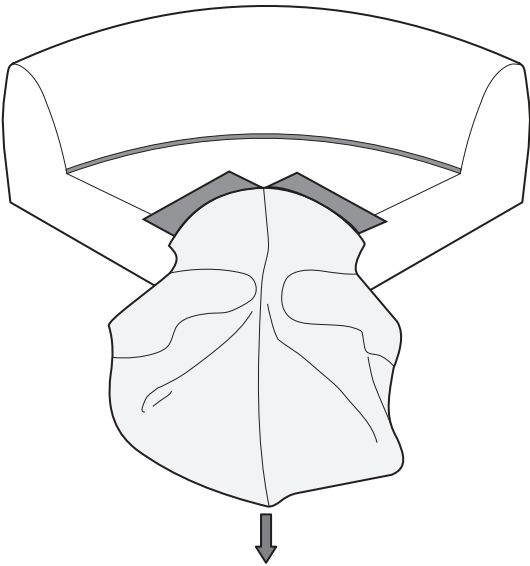
4



5

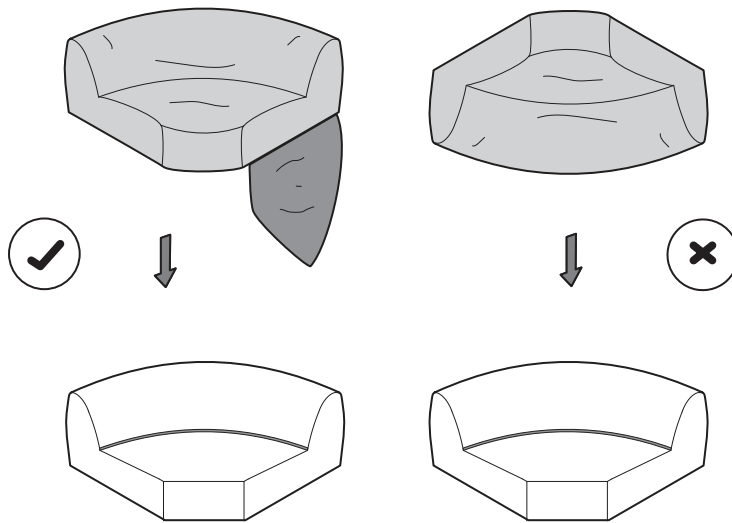


6



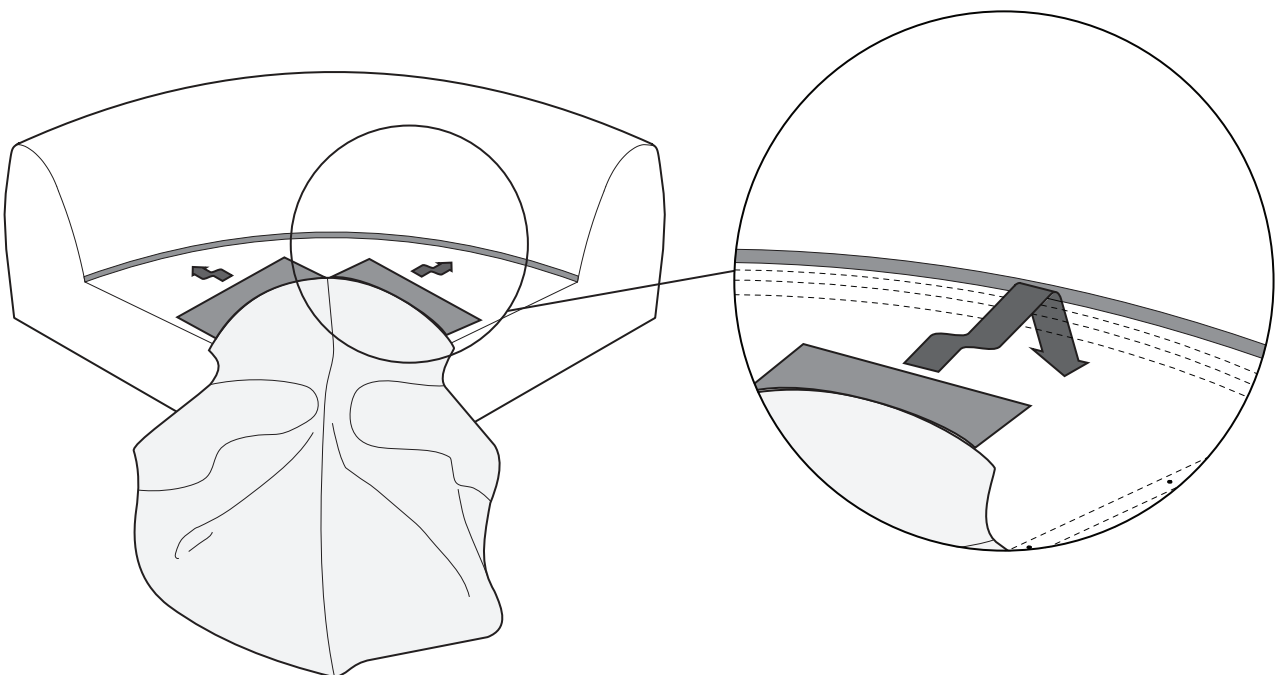
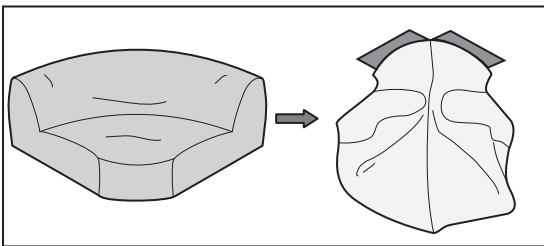
## Cover Installation: Curve

1

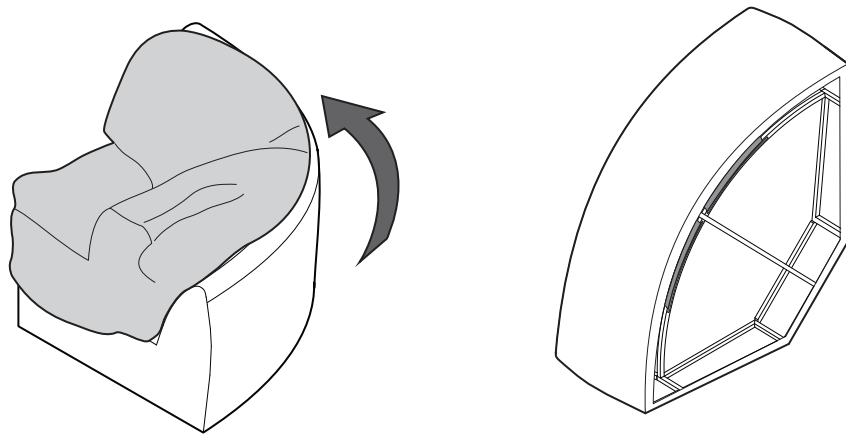


Line up side panels of cover and module before applying cover

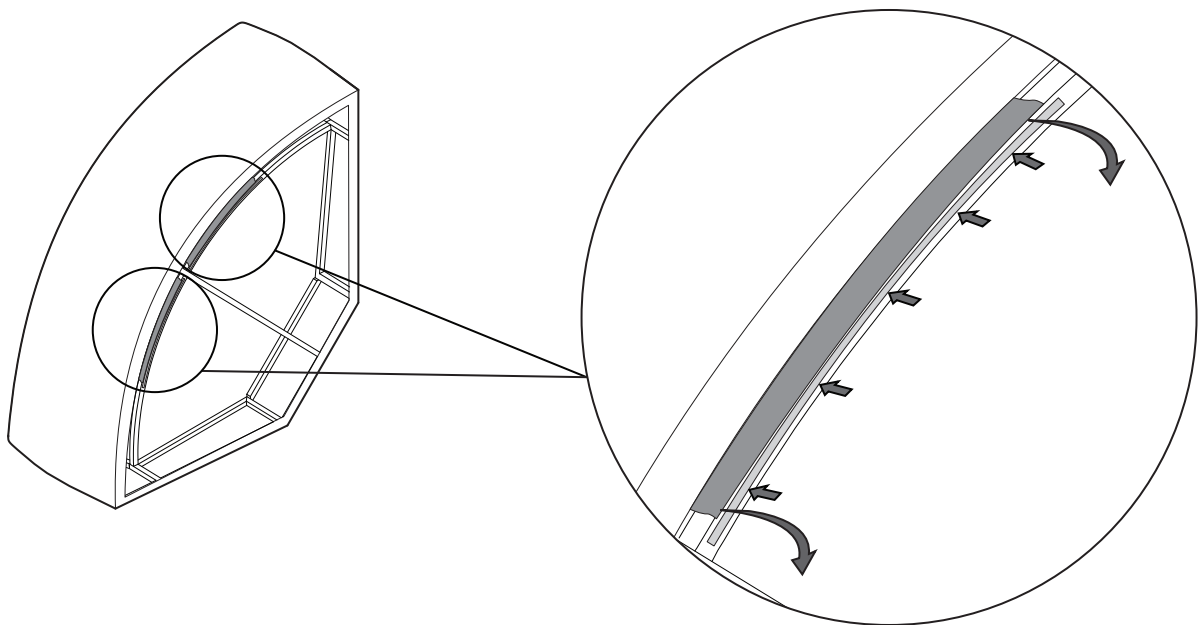
2



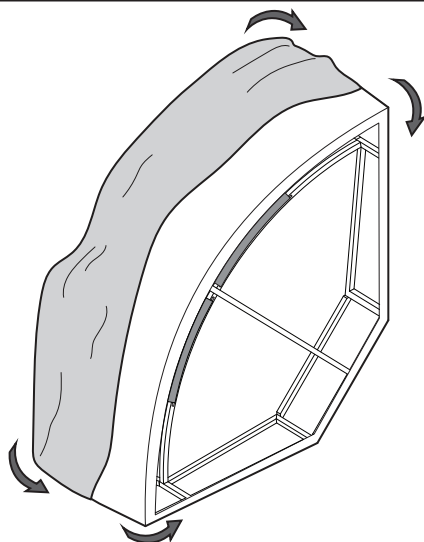
3



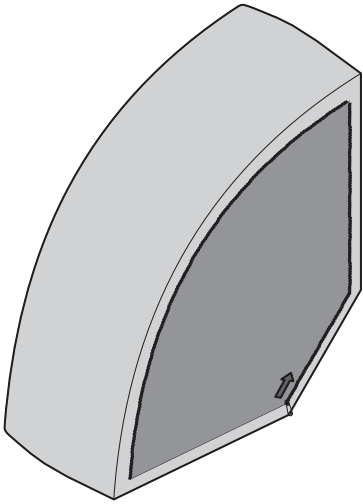
4



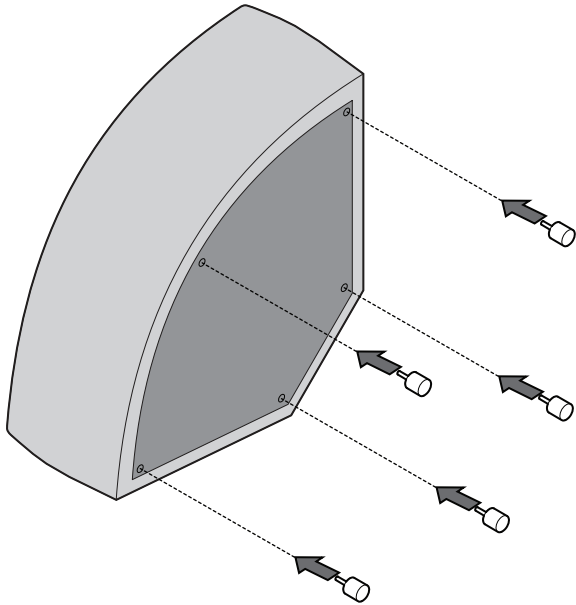
5



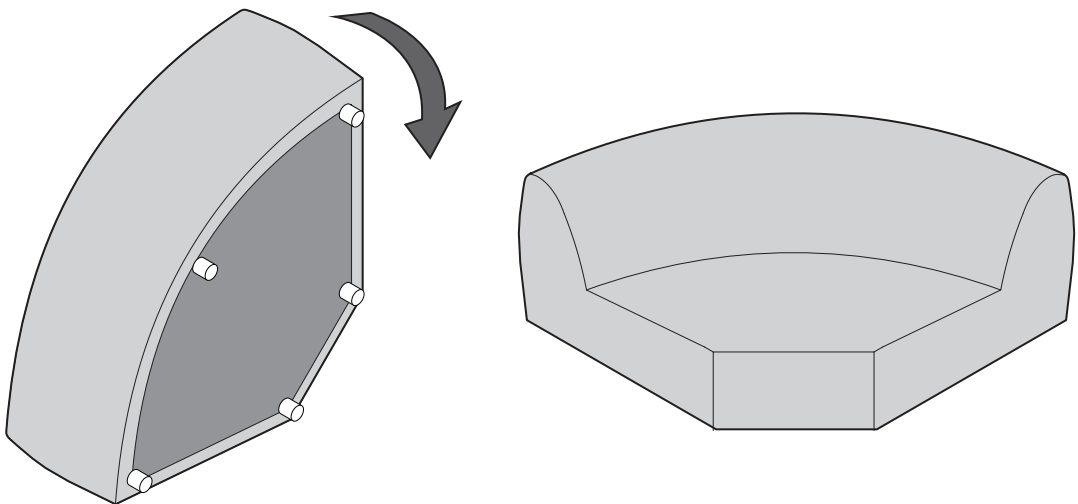
6



7



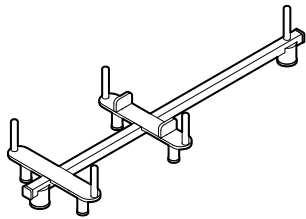
8



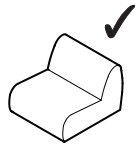
## Arm Installation

### Arm Bracket

Compatible\* for left-hand or right-hand configurations:



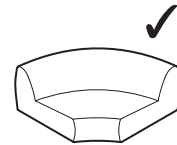
Long Bracket



Chair



Chaise

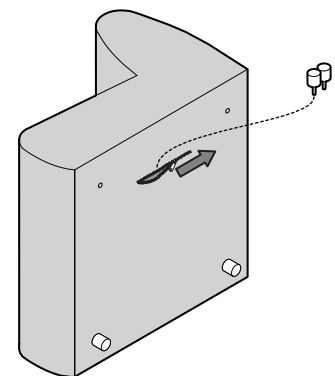
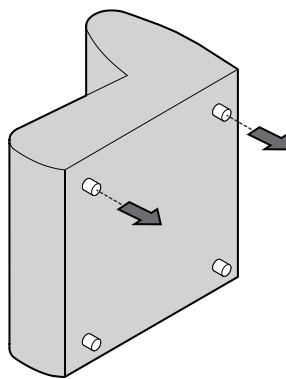
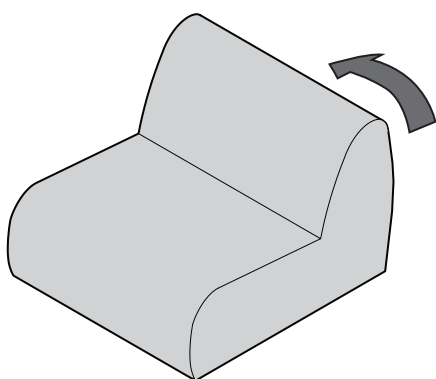


Curve

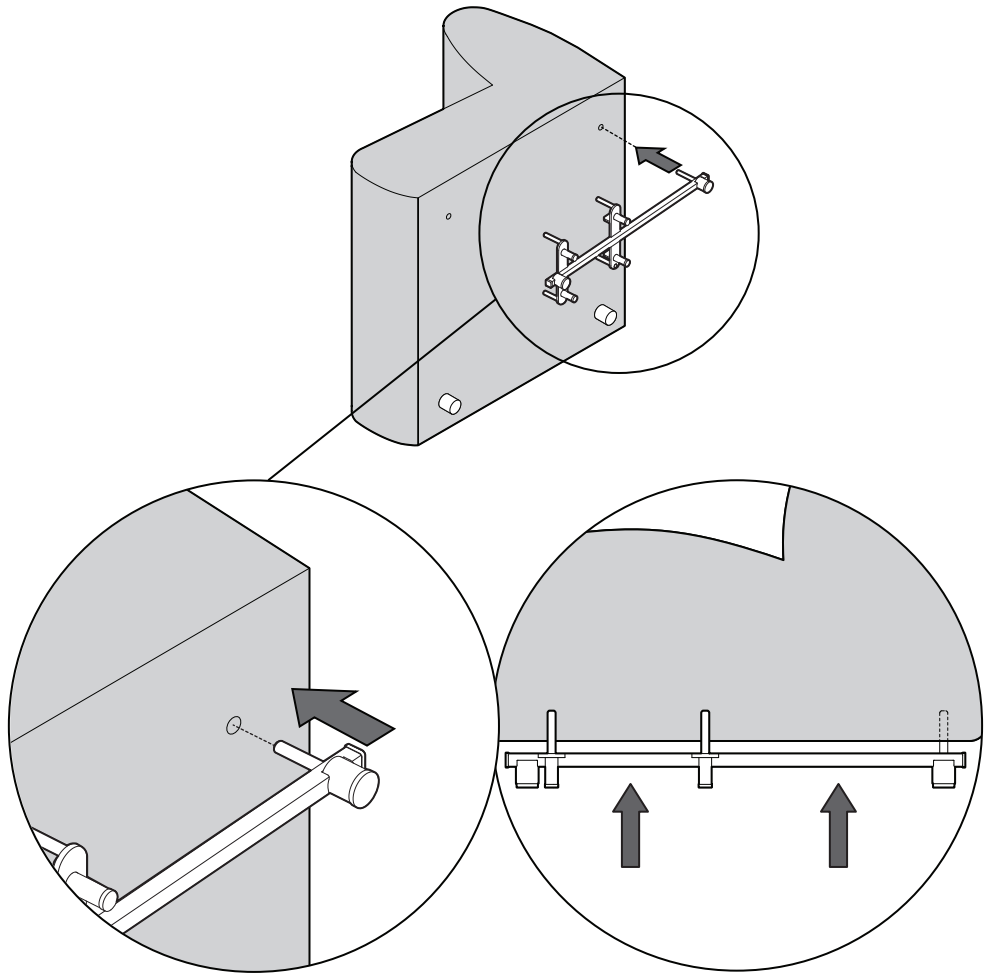
\*Arm Bracket compatible with Standard Fixed Height Legs only: 45mm (1.75")  
Not compatible with Height Adjustable Legs

## Assembly: Chair

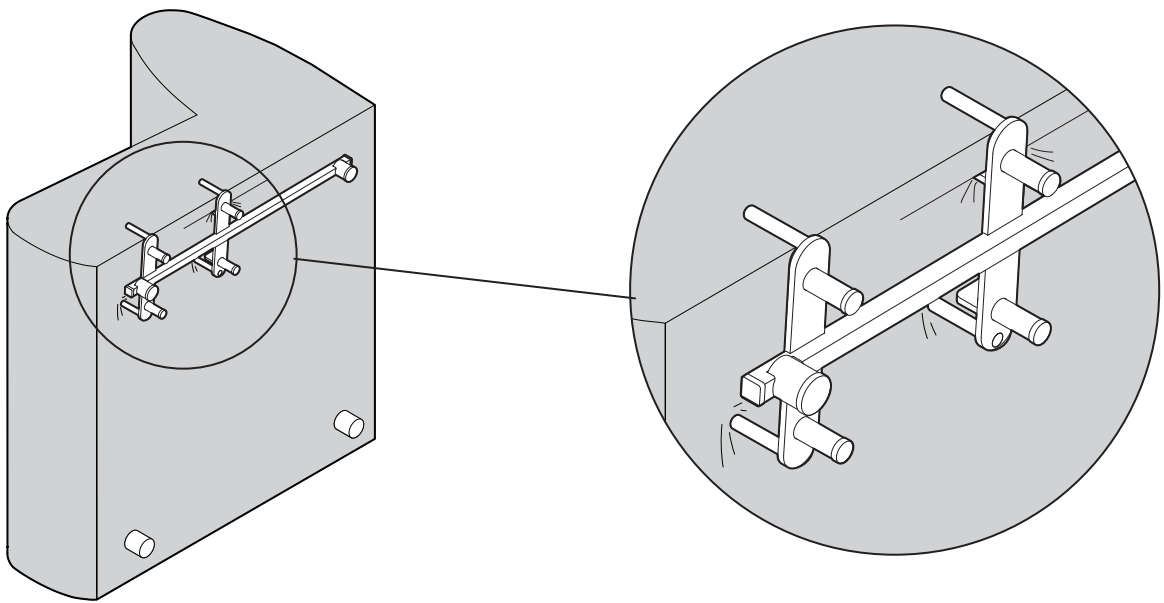
1



2

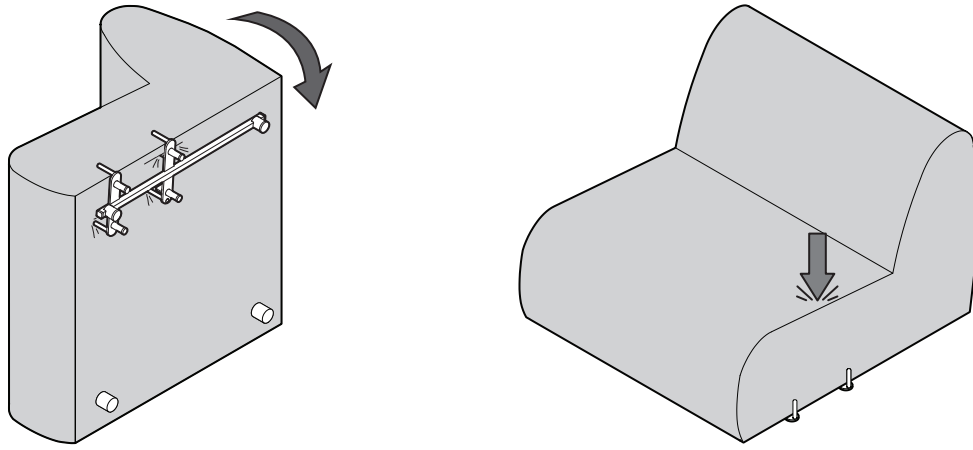


3

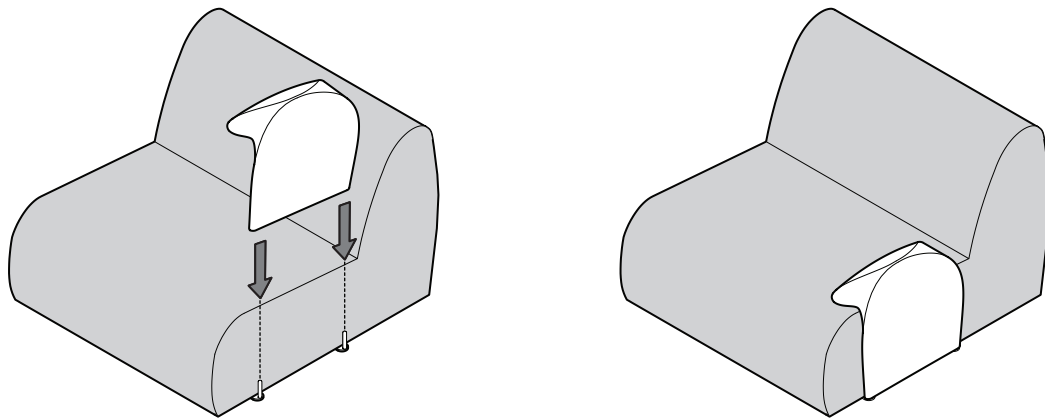




4

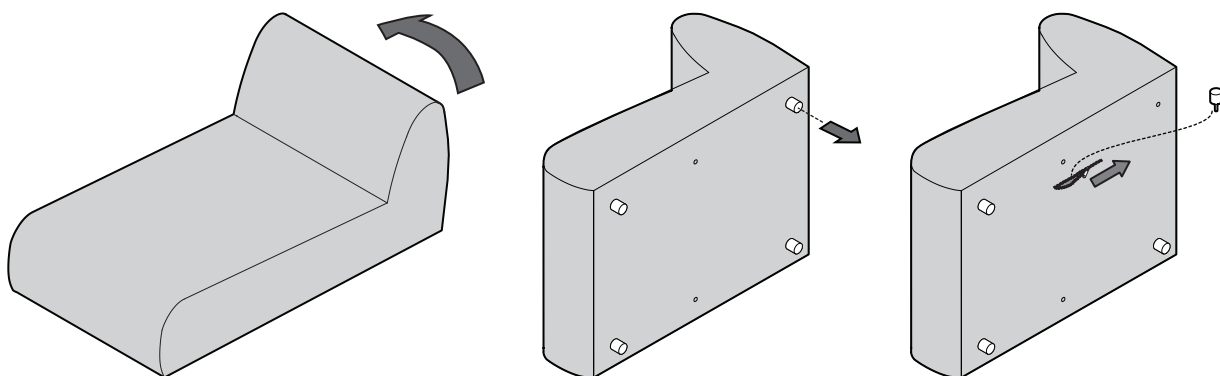


5

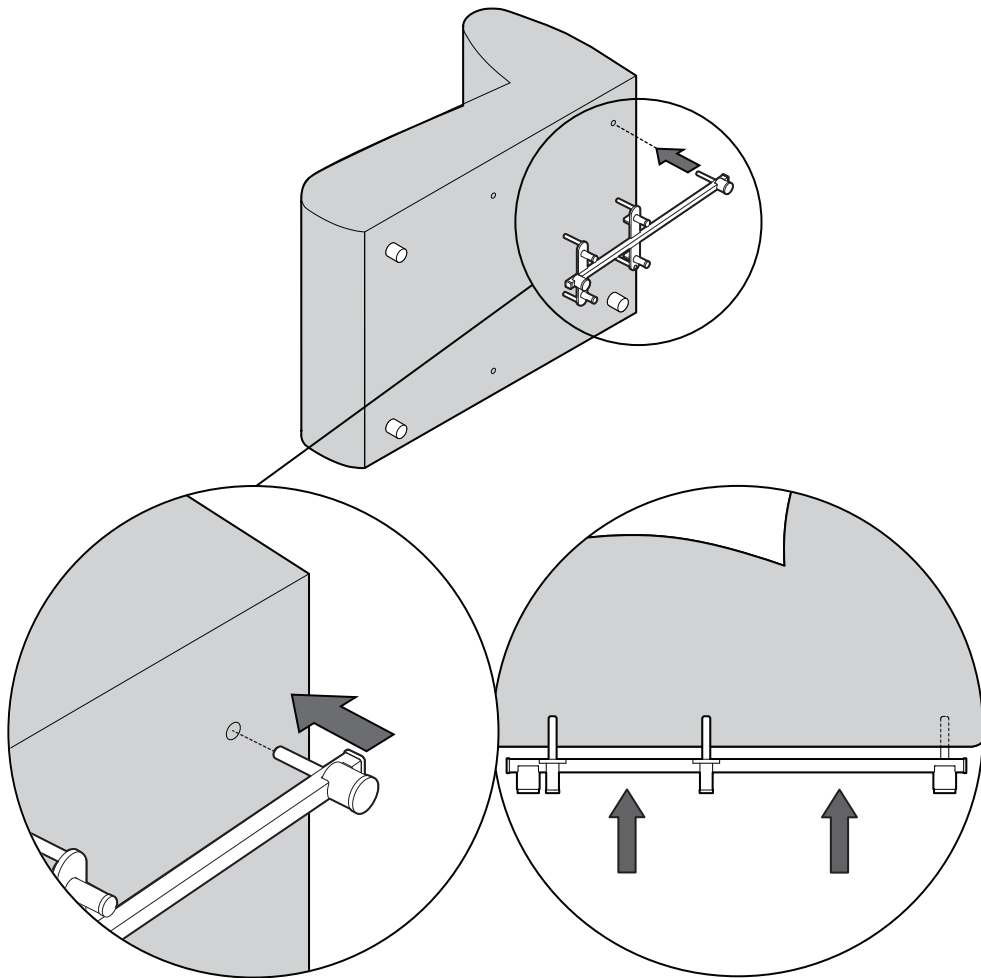


## Assembly: Chaise

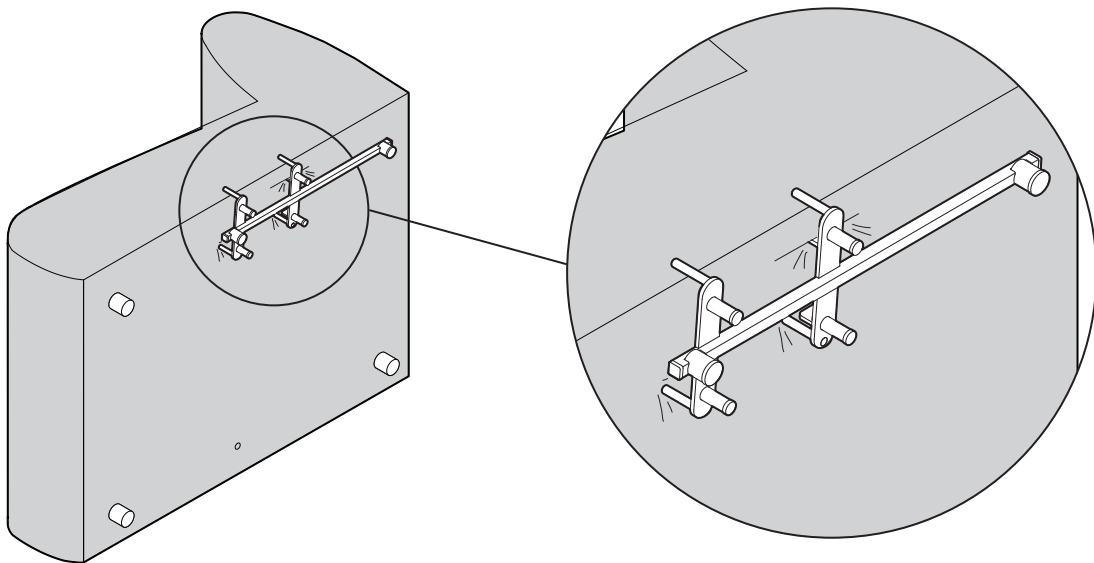
1



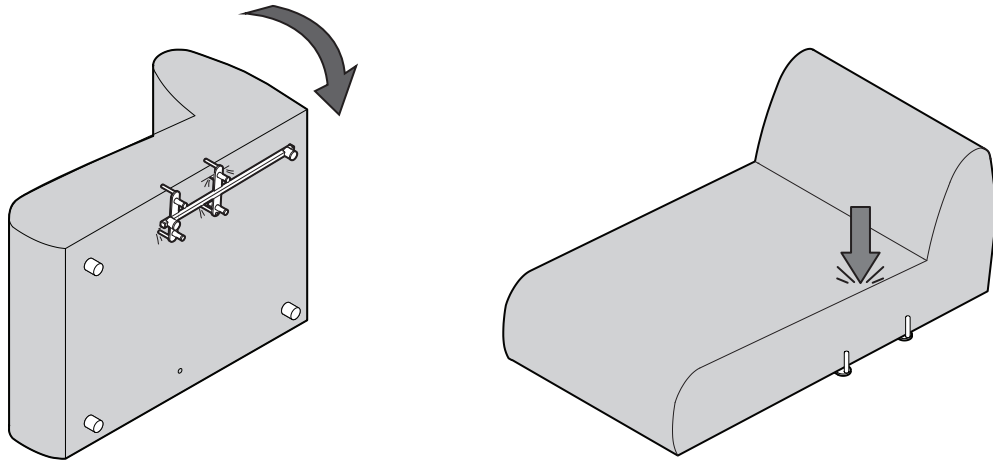
2



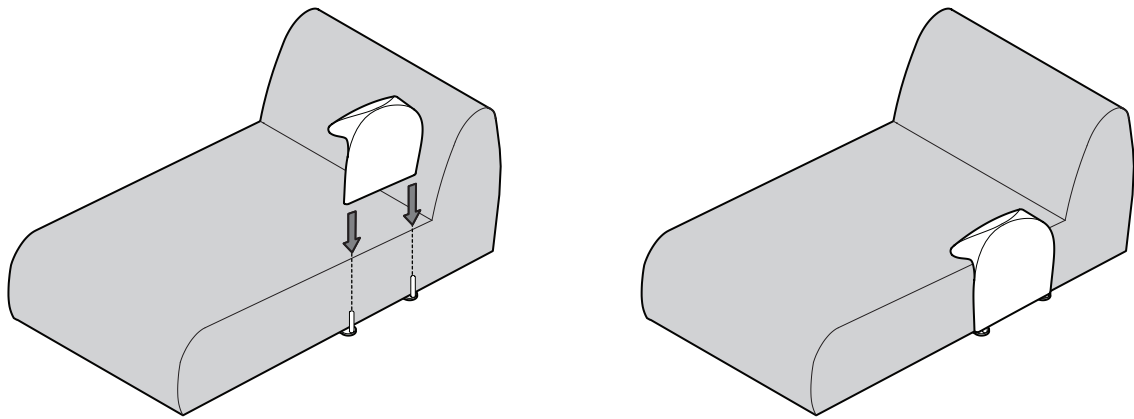
3



4

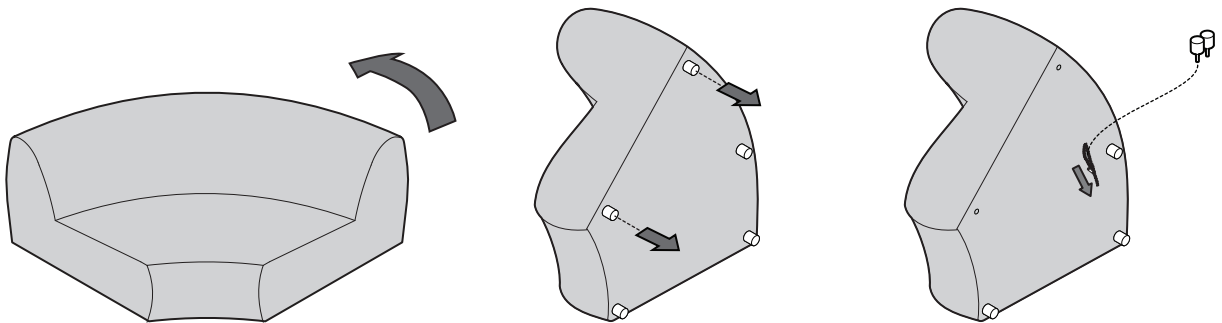


5

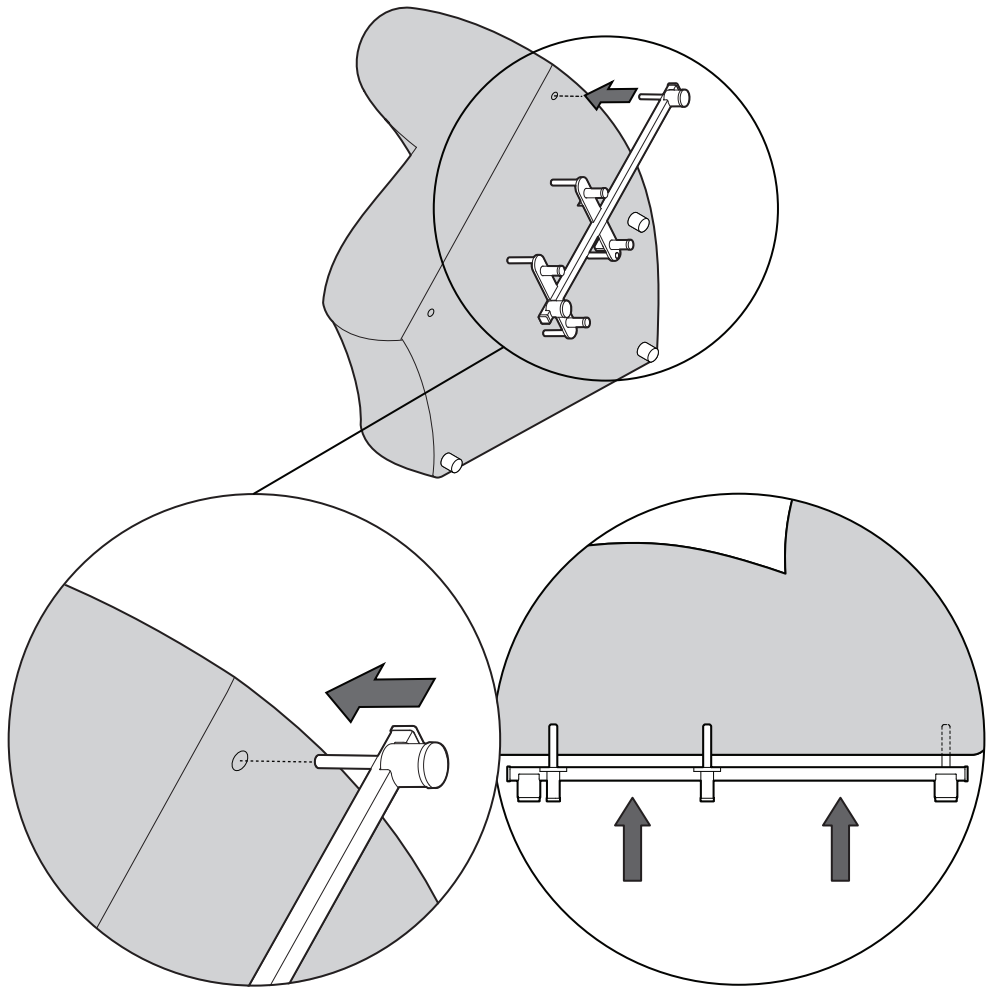


### Assembly: Curve

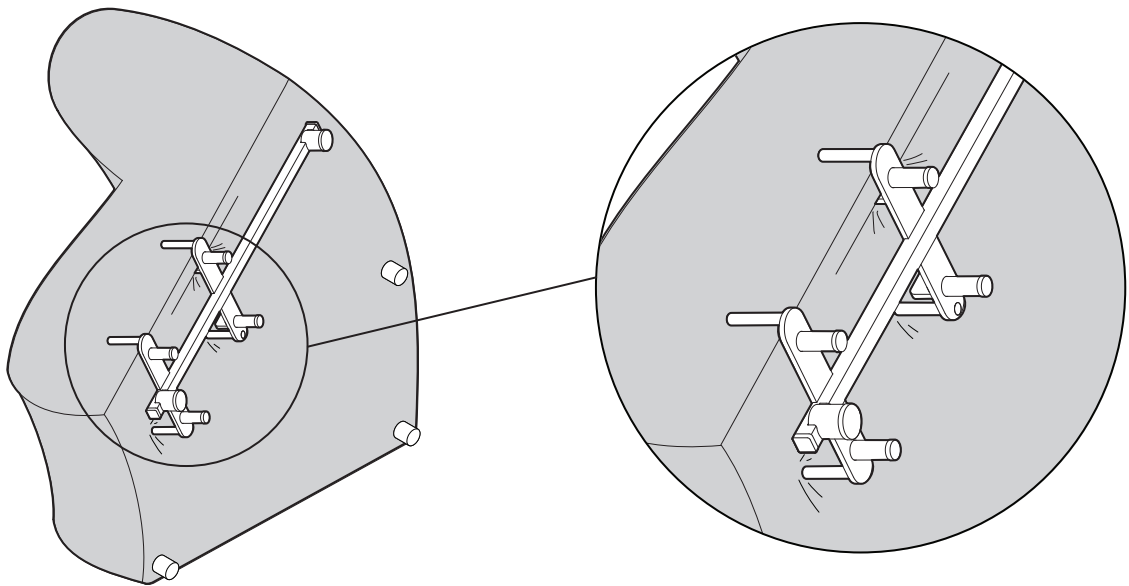
1



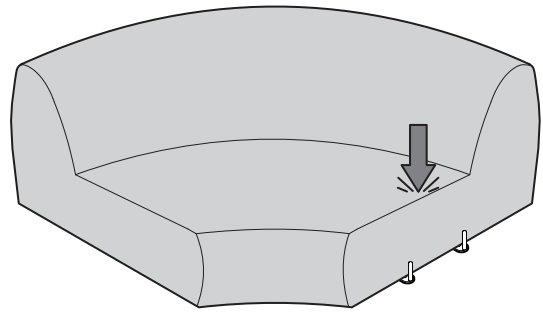
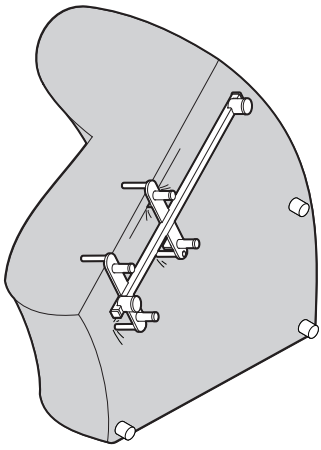
2



3



4



5

