

# Jasper Full Assembly Instructions

# KING

## Assembly | User Guide

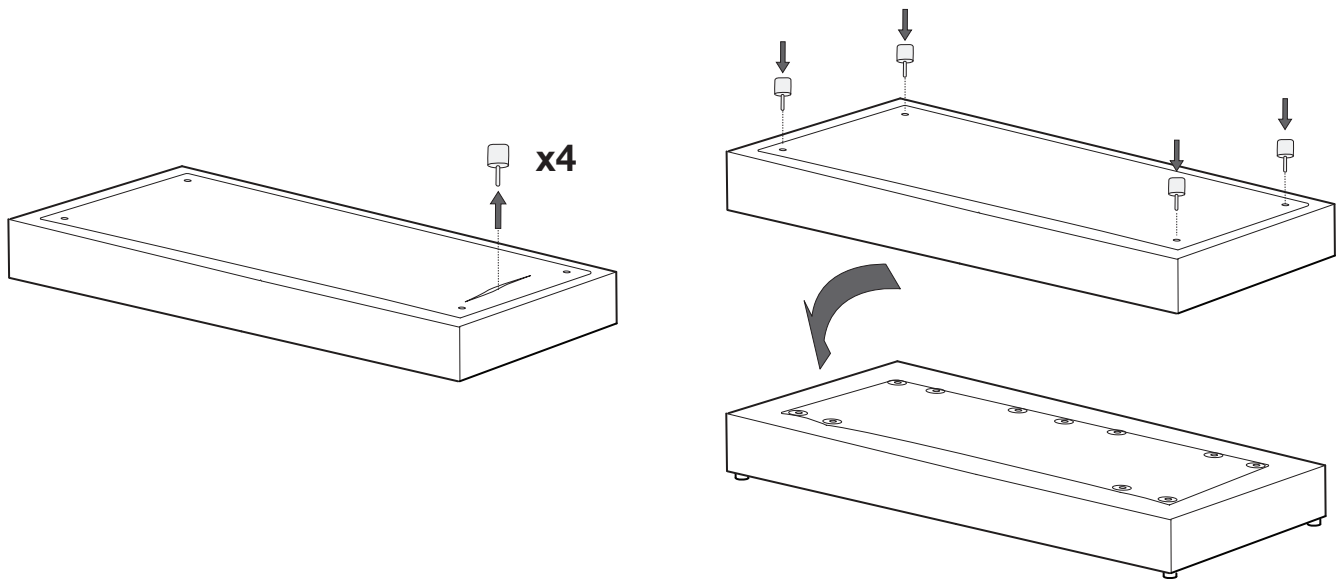
Two people are required for safe assembly

### Opening Boxes:

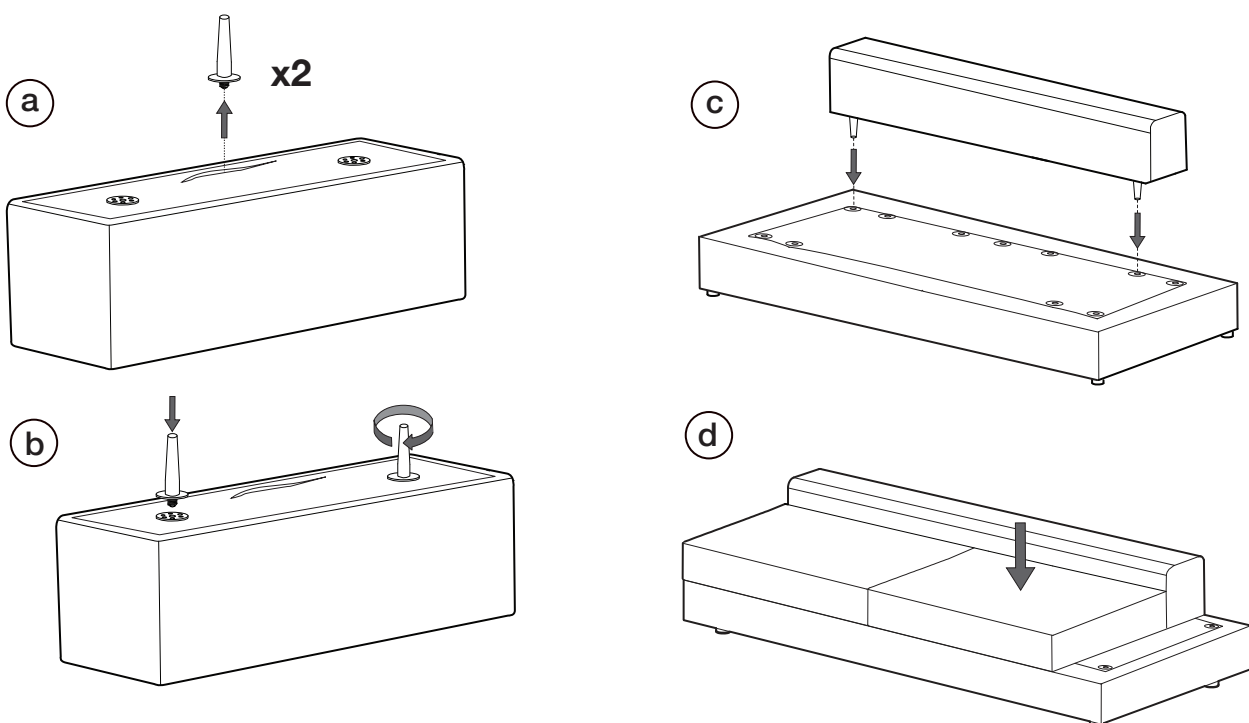
DO NOT use a knife to open the King boxes as you may damage your furniture. Peel off the tape, then lift & separate the cardboard flaps to open.

Assemble your furniture by following the instructions below.

1



2



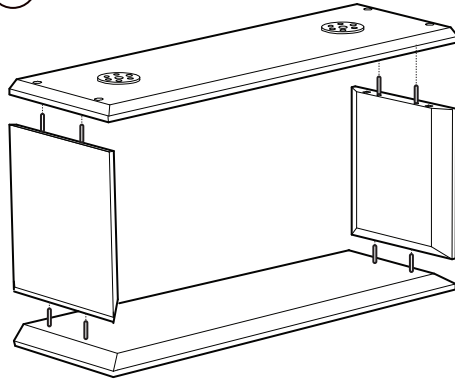
3

||||| x8

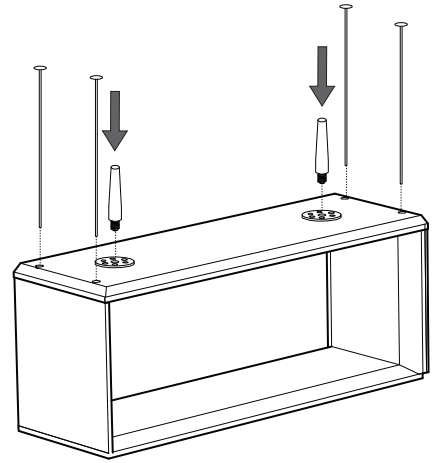
||| x2

||||| x4

a

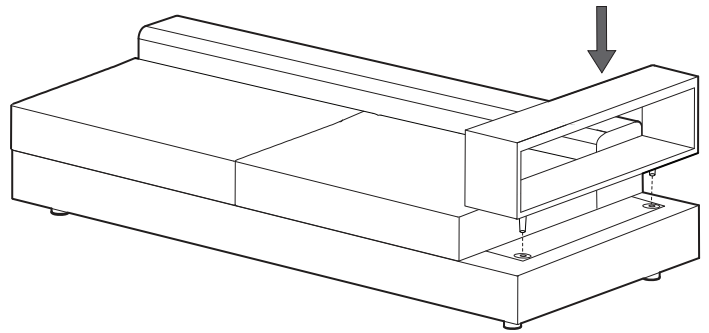
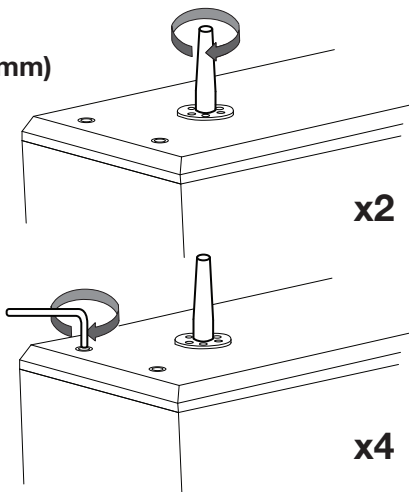


b



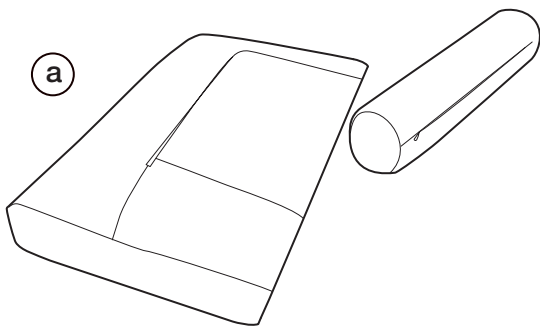
4

└ x1 (5mm)

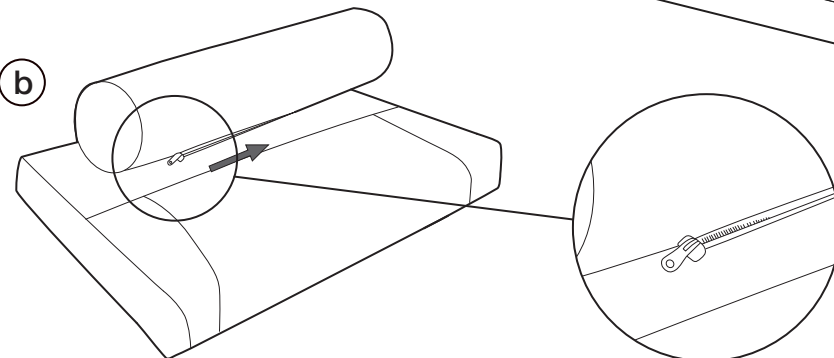


5

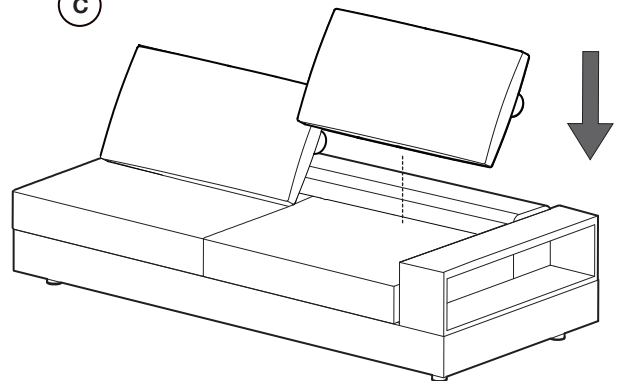
a



b



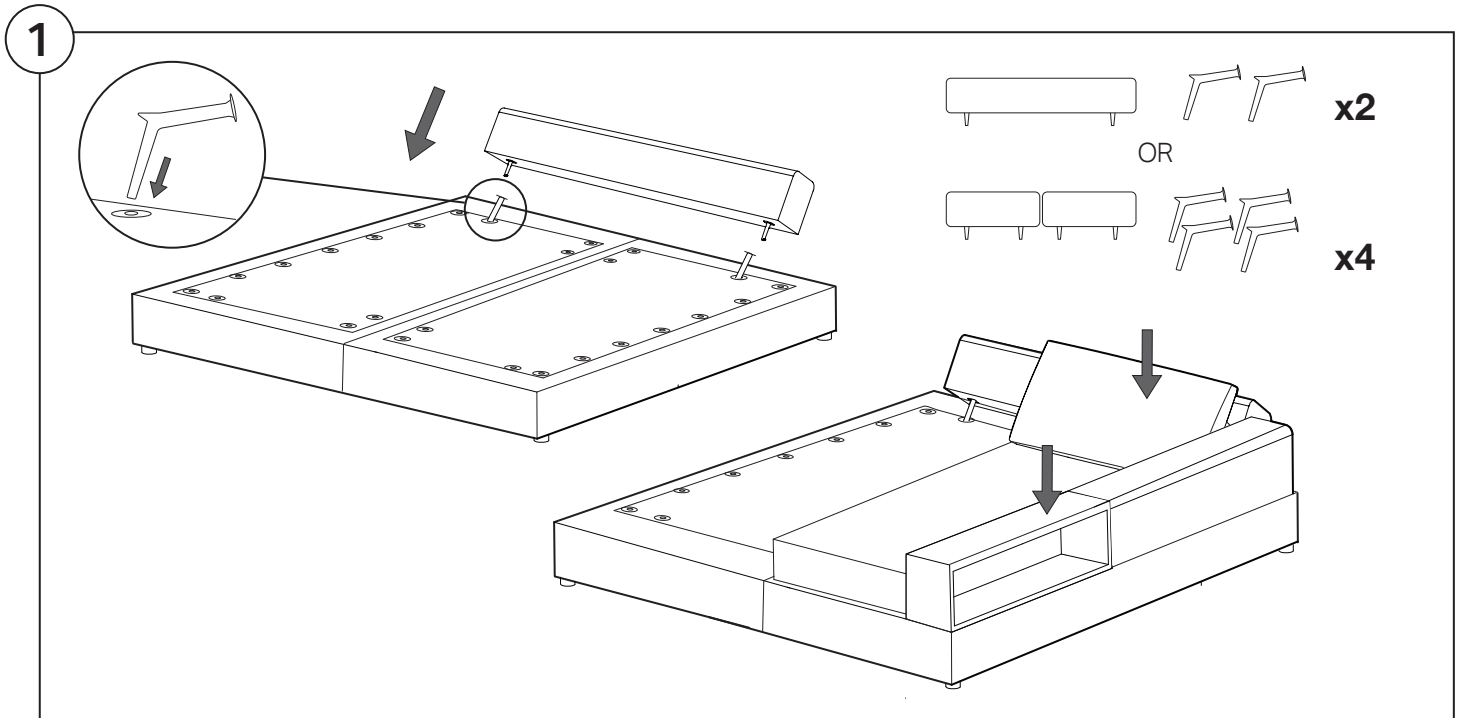
c



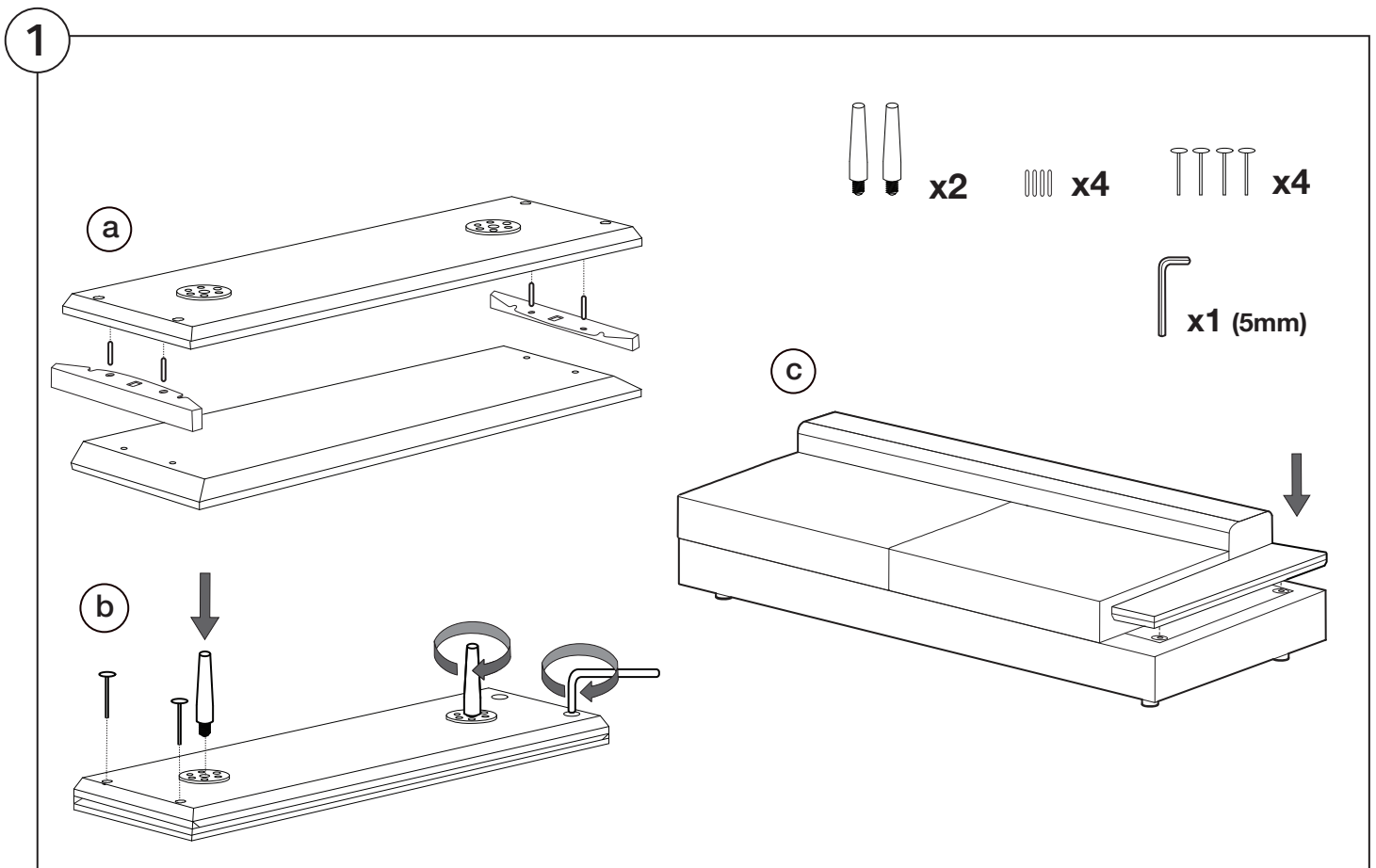
# Jasper Alternate Features

# KING

## Back Rest: Bed Position



## Flat Shelf Assembly



# Shelf Light Charge Assembly

**1**

Do not connect shelf to power until assembly is complete.

Ensure touch-activated light is turned **OFF** before flat shelf assembly.

x4   x2   x8

**2**

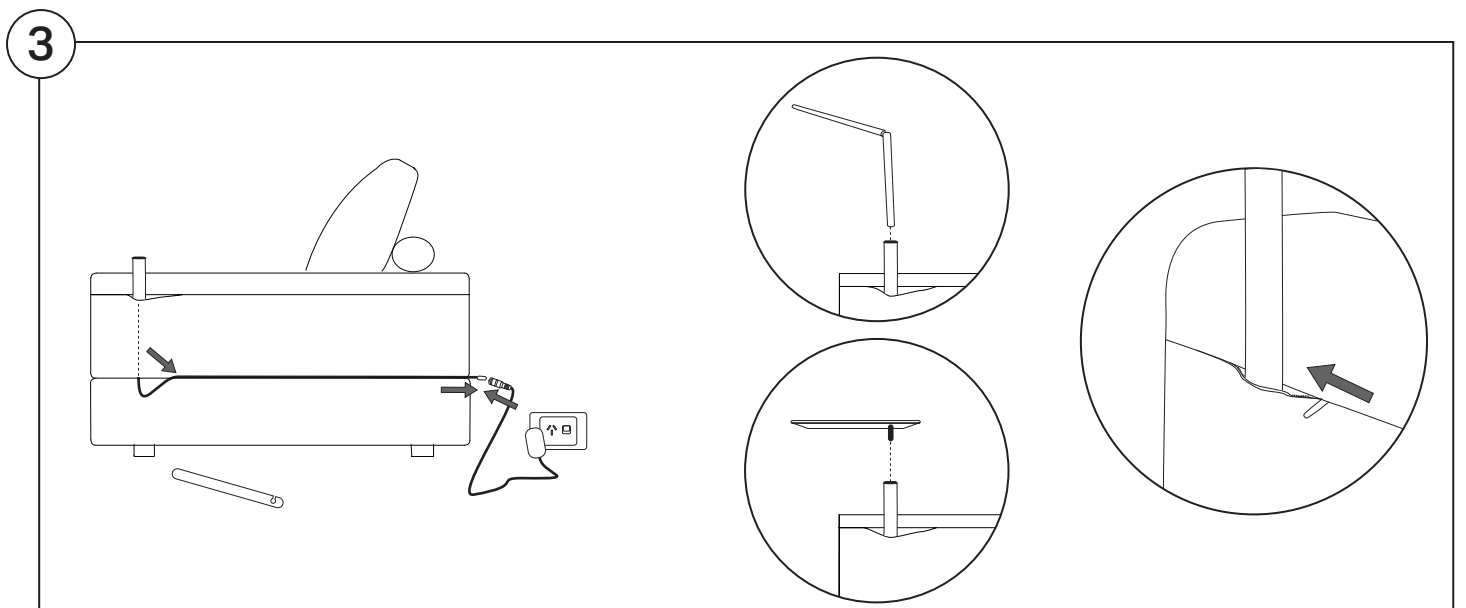
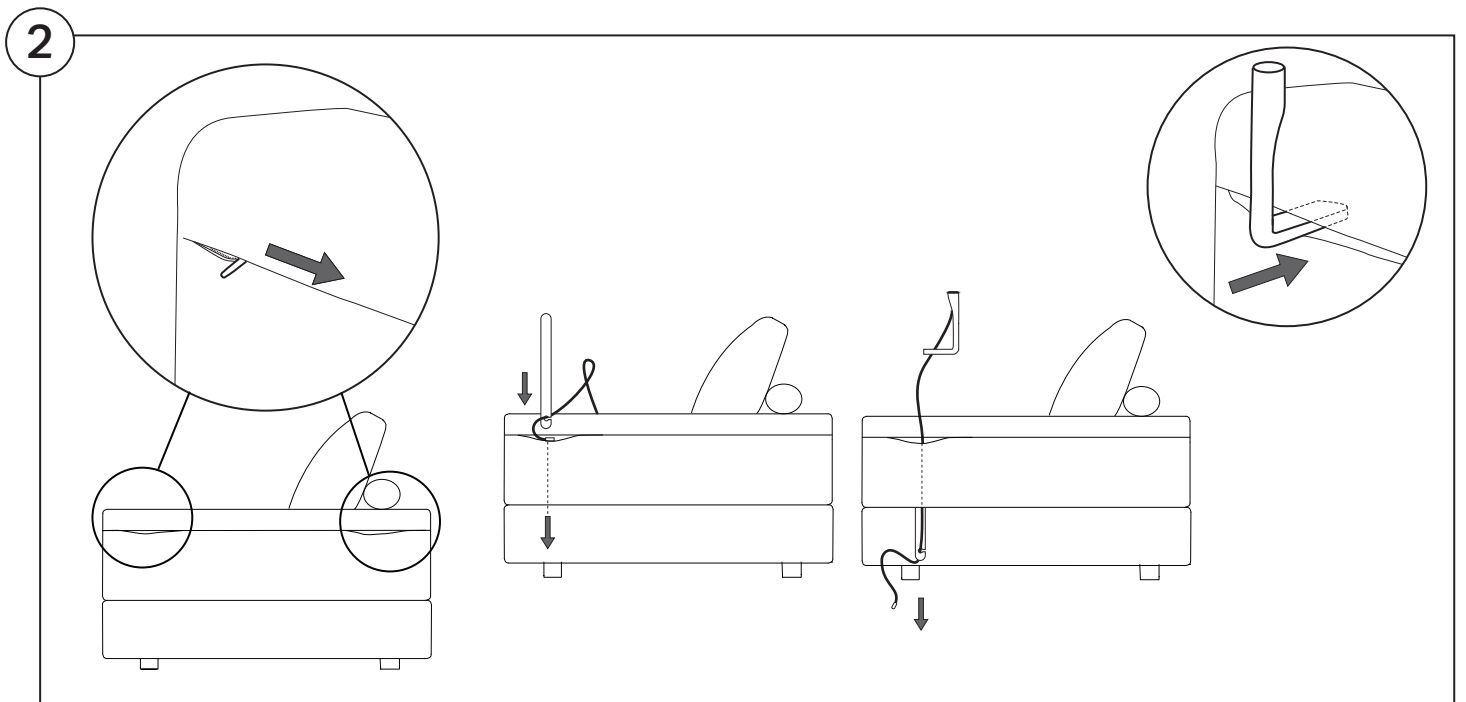
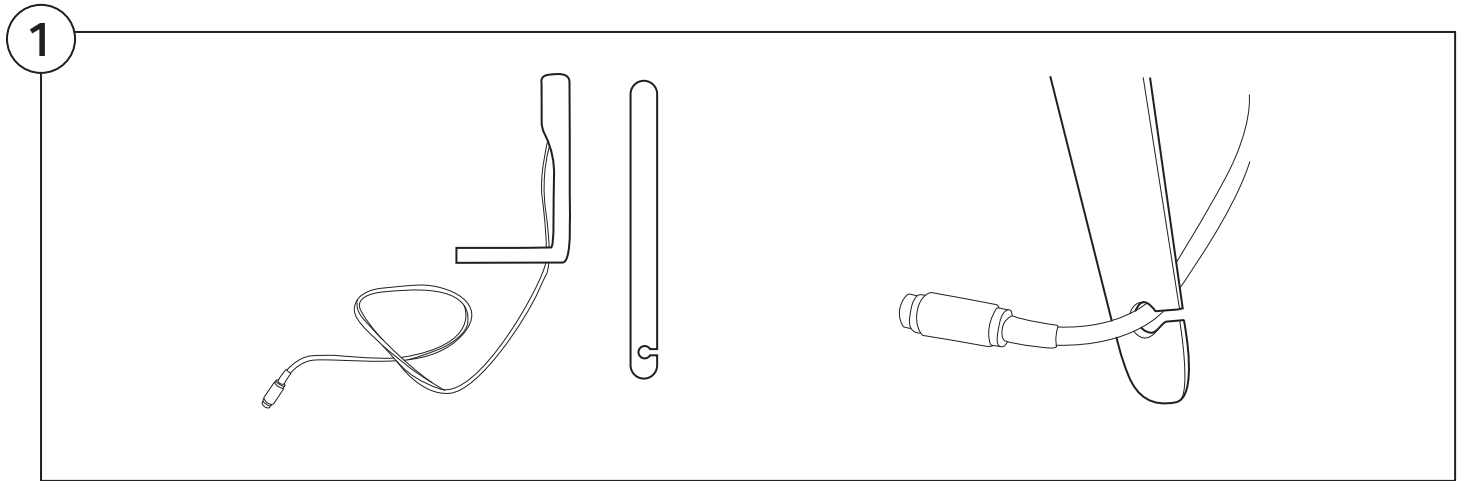
x1 (5mm)

x2   x4

**3**

Light On / Off

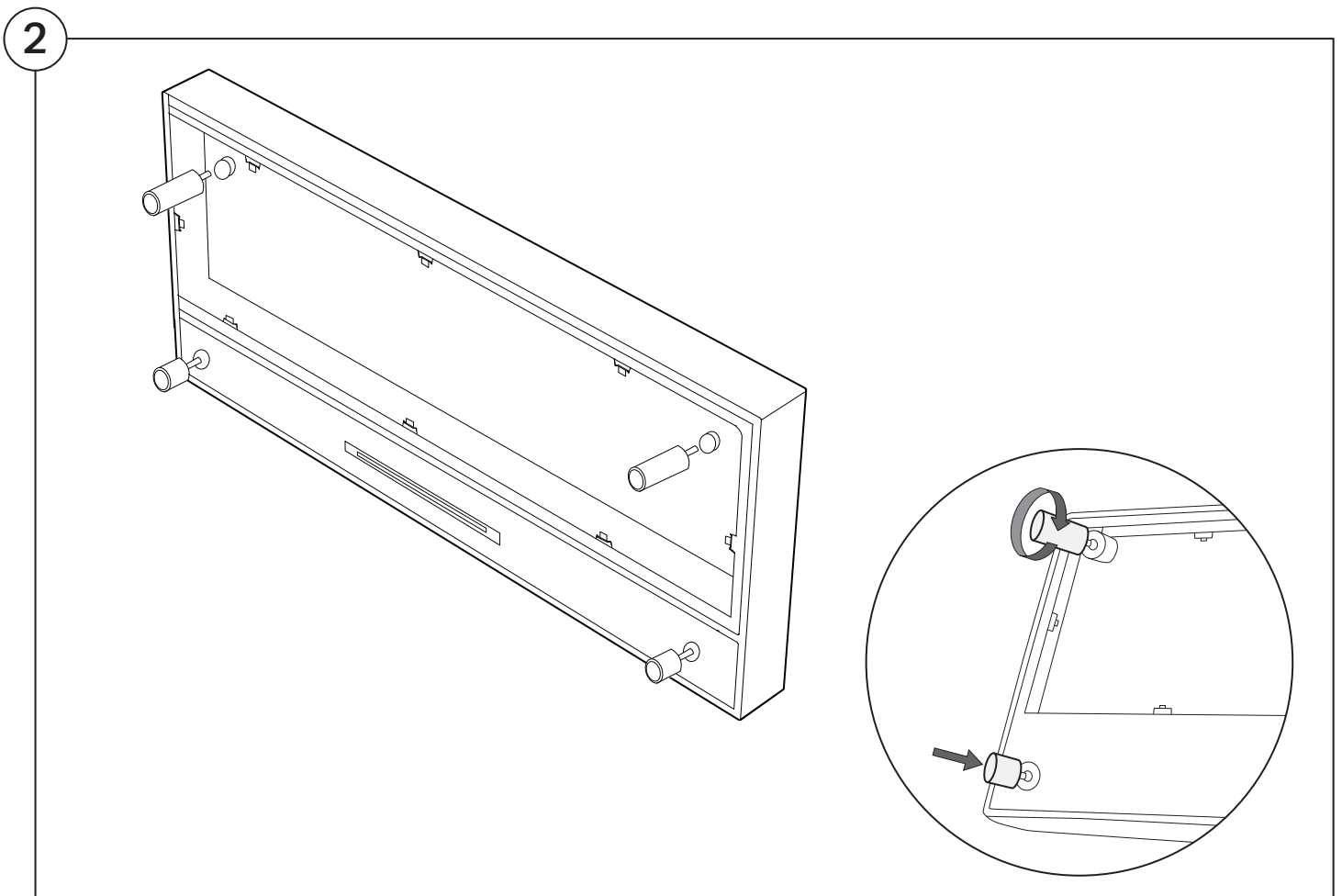
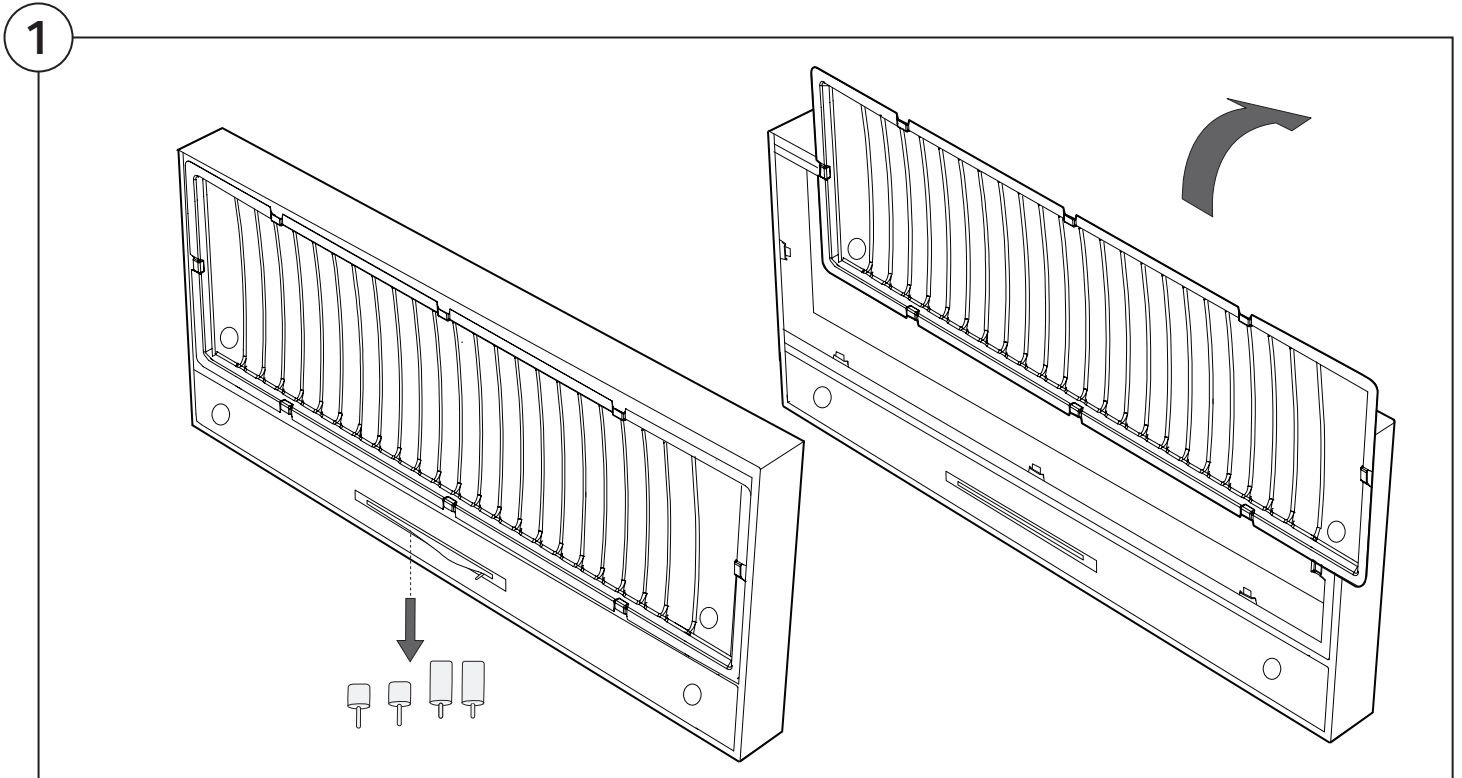
# Smart Accessory Assembly



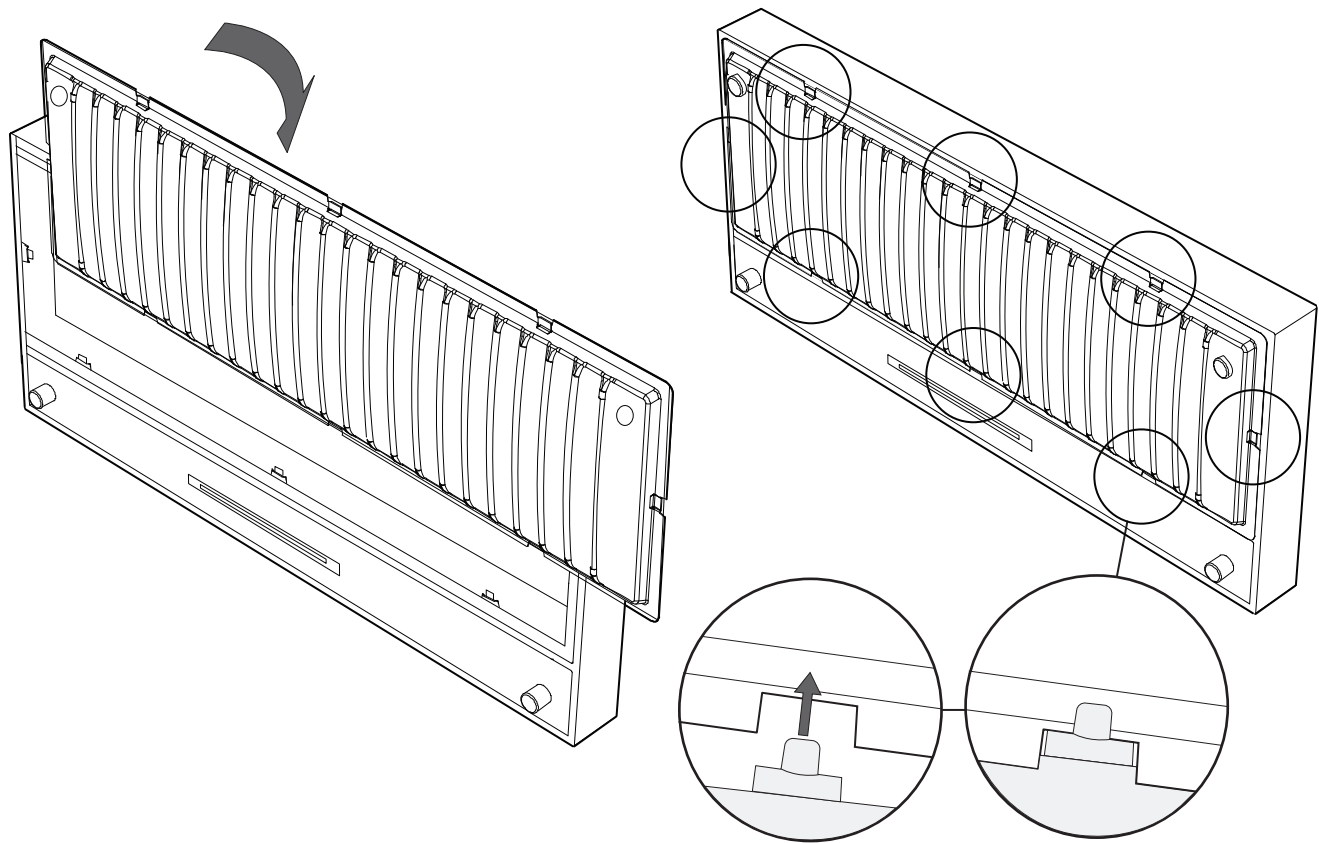
# Jasper Storage

## Storage Assembly

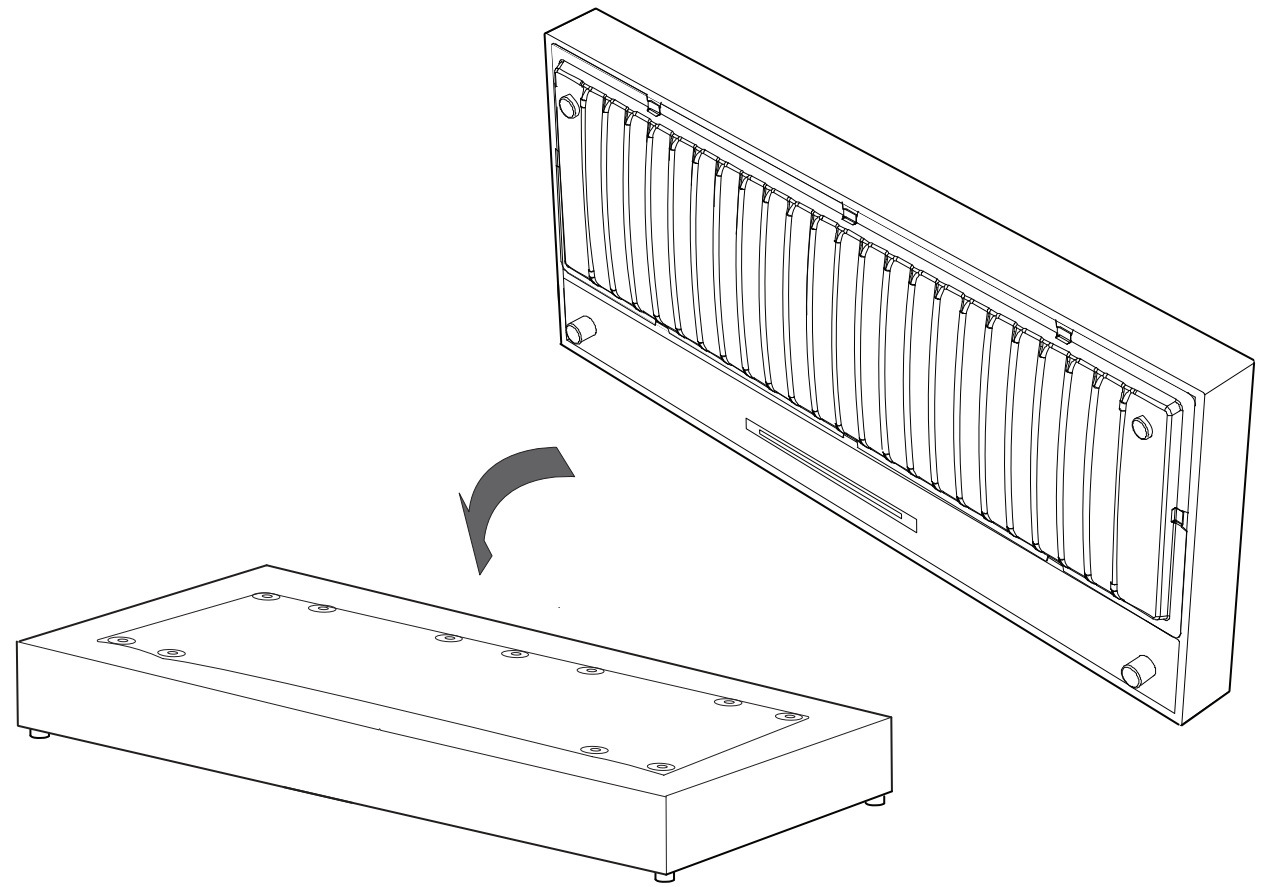
# K I N G



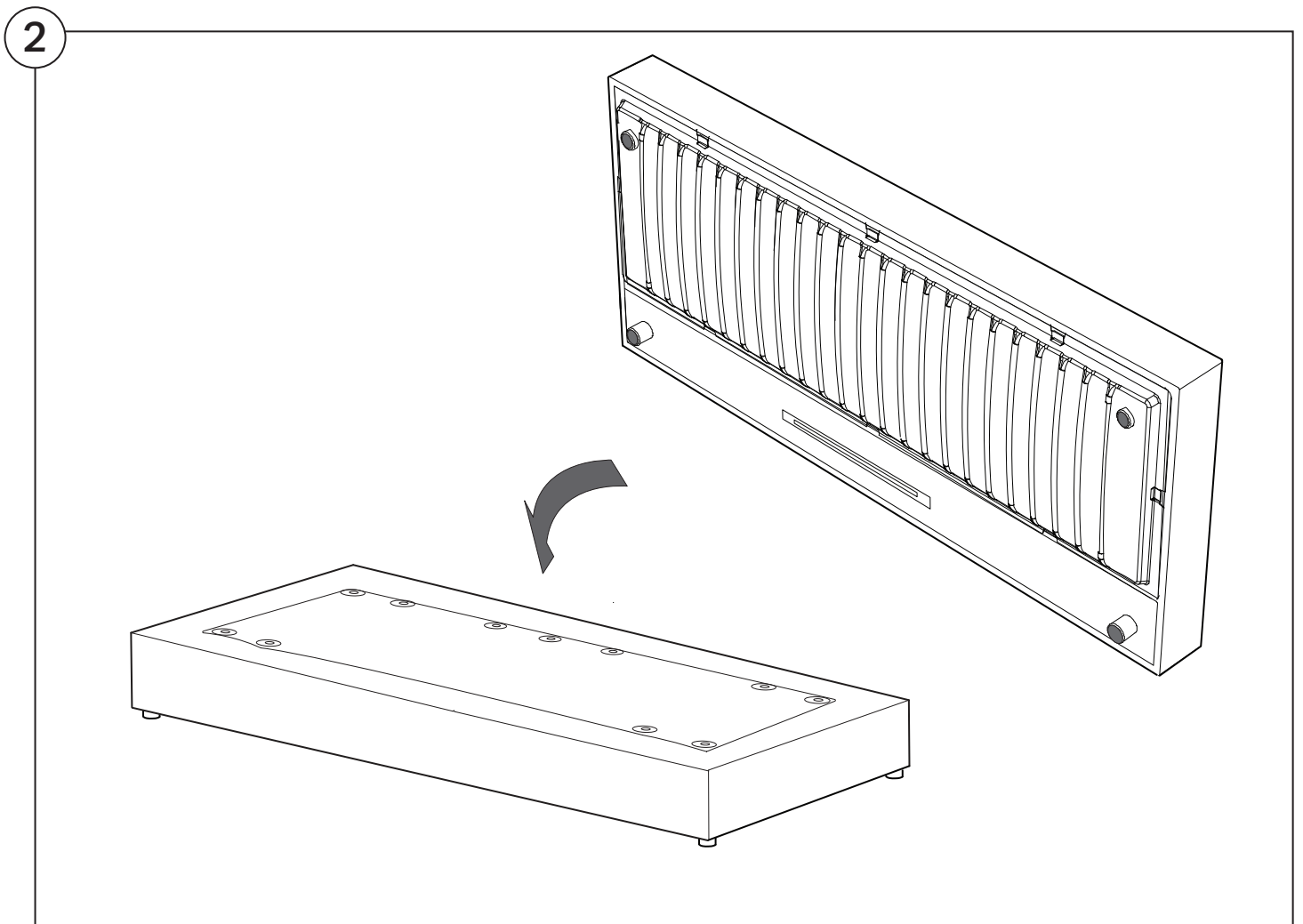
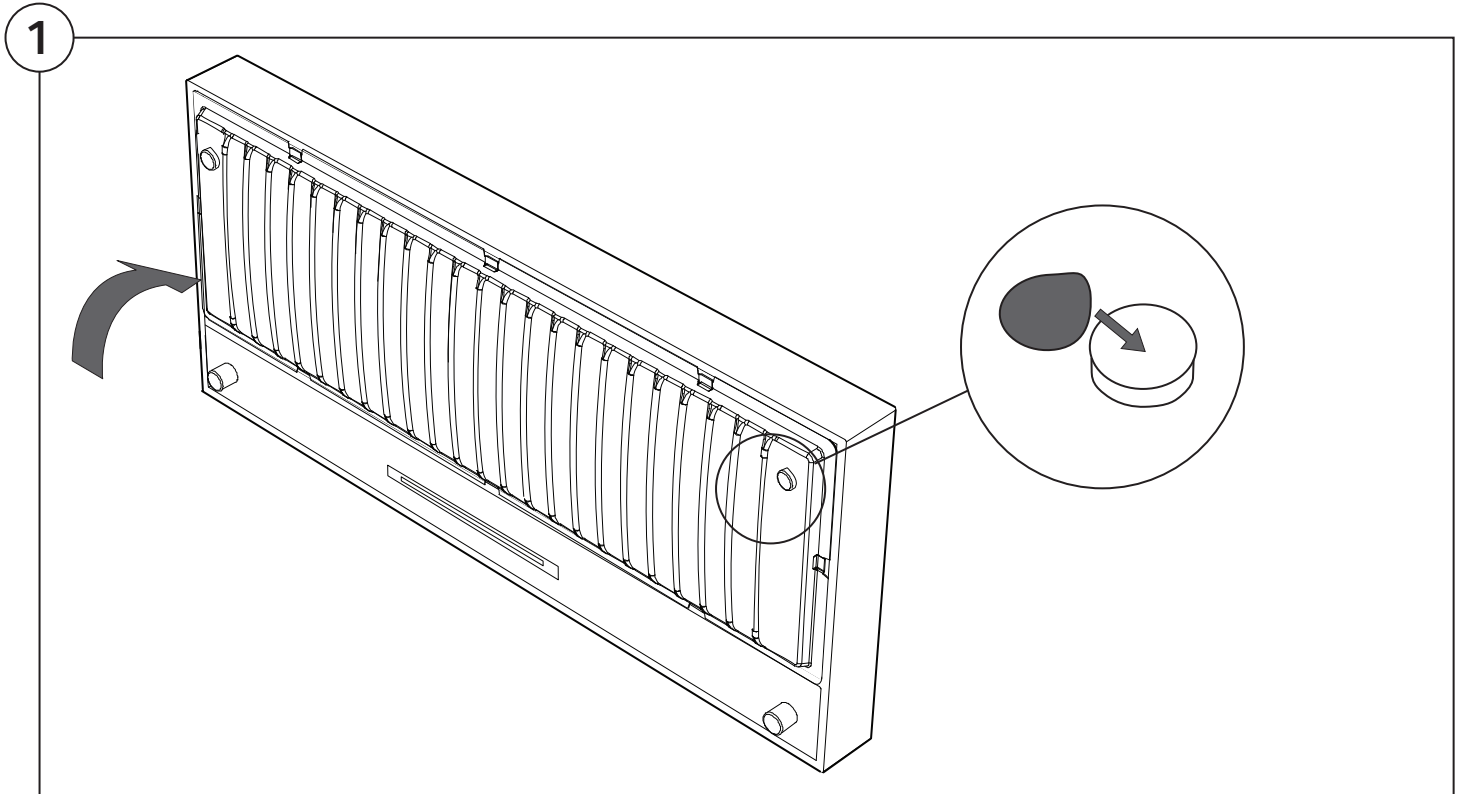
3



4



# Foot Grip Pads

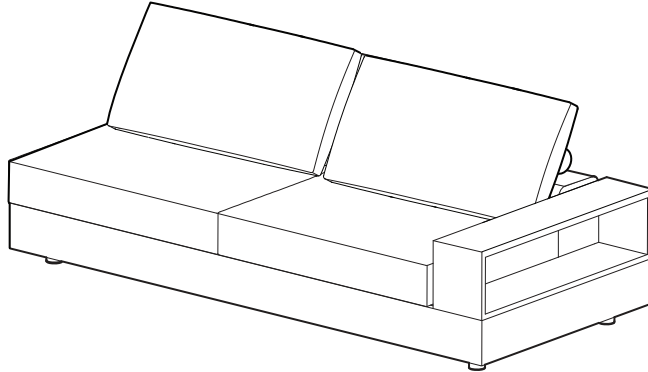




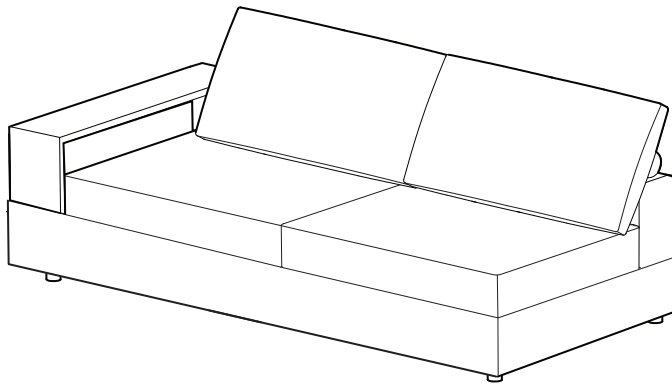
# Storage Base Reconfigure - Two Seater

# K I N G

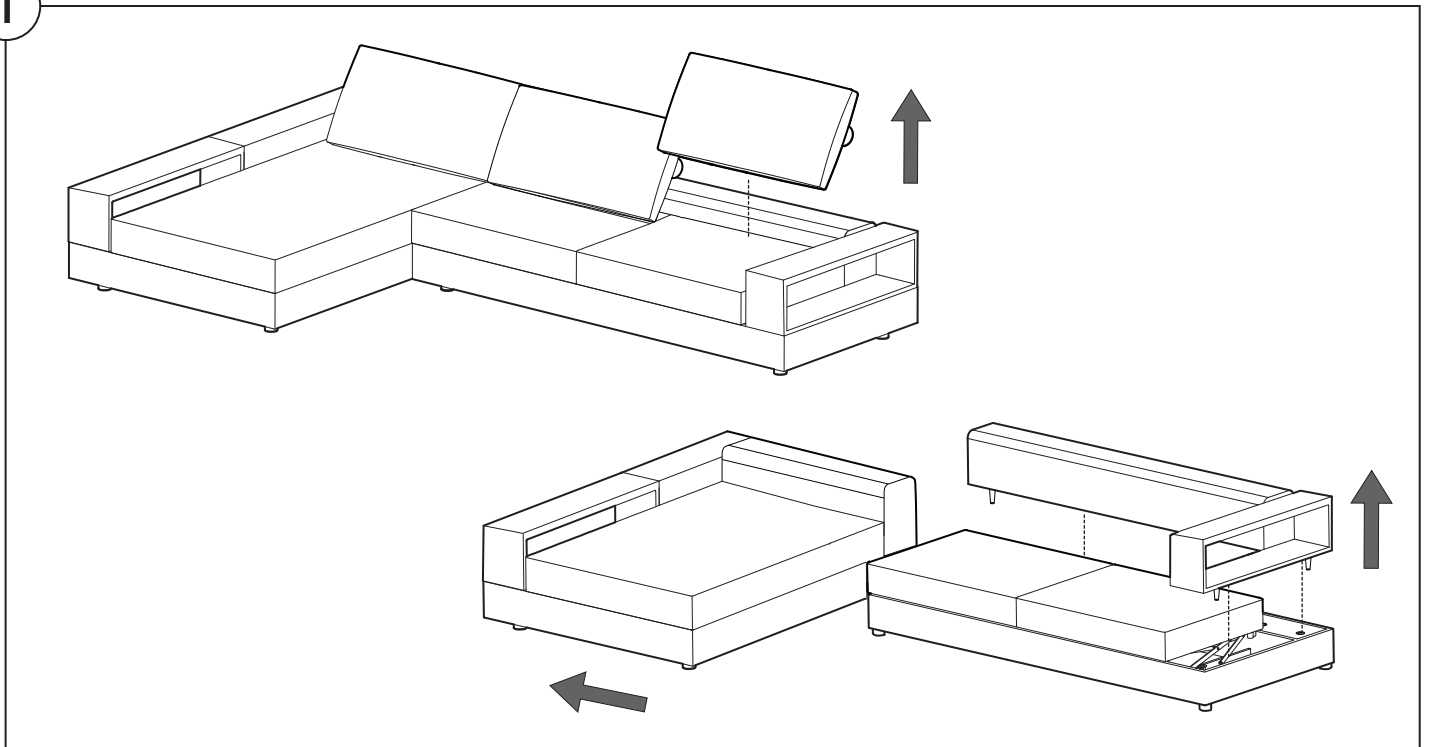
## Right Hand Storage



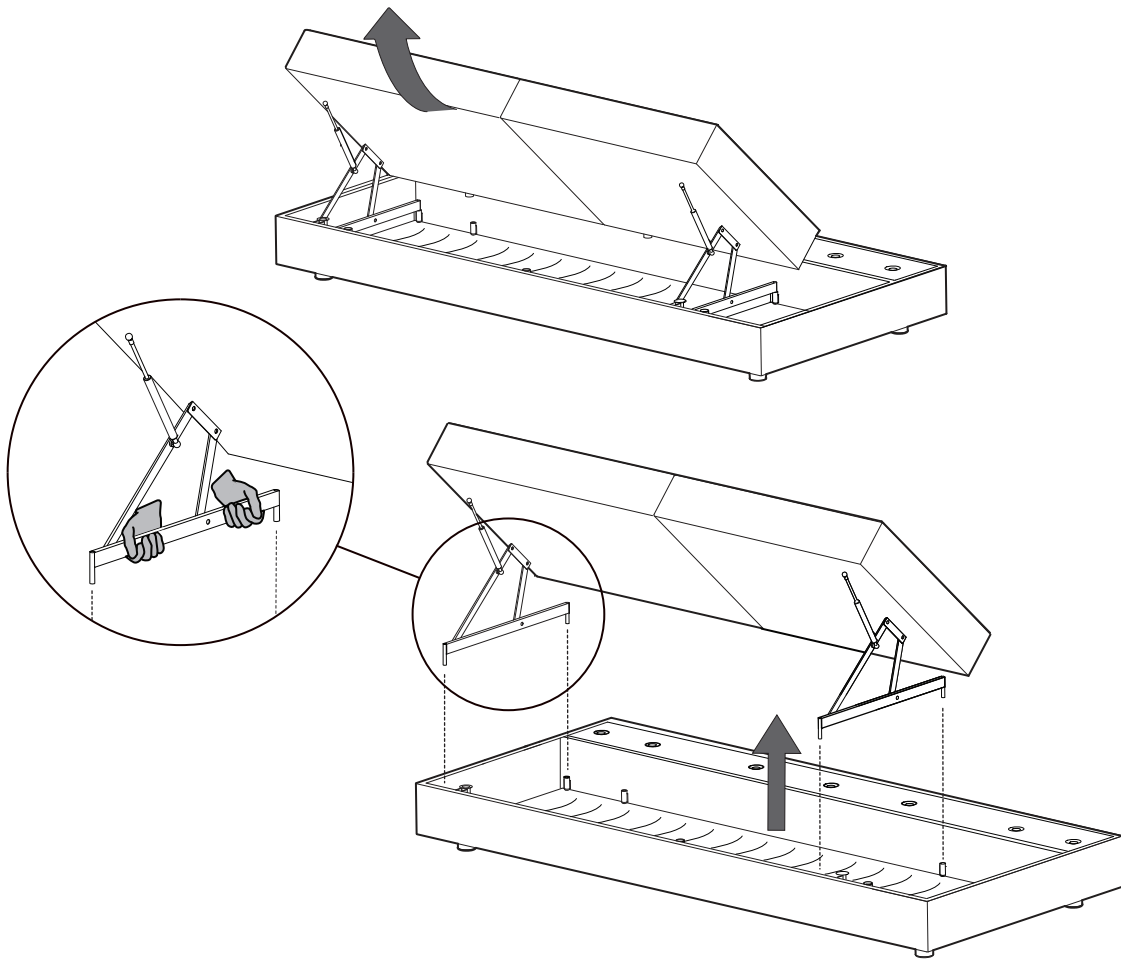
## Left Hand Storage



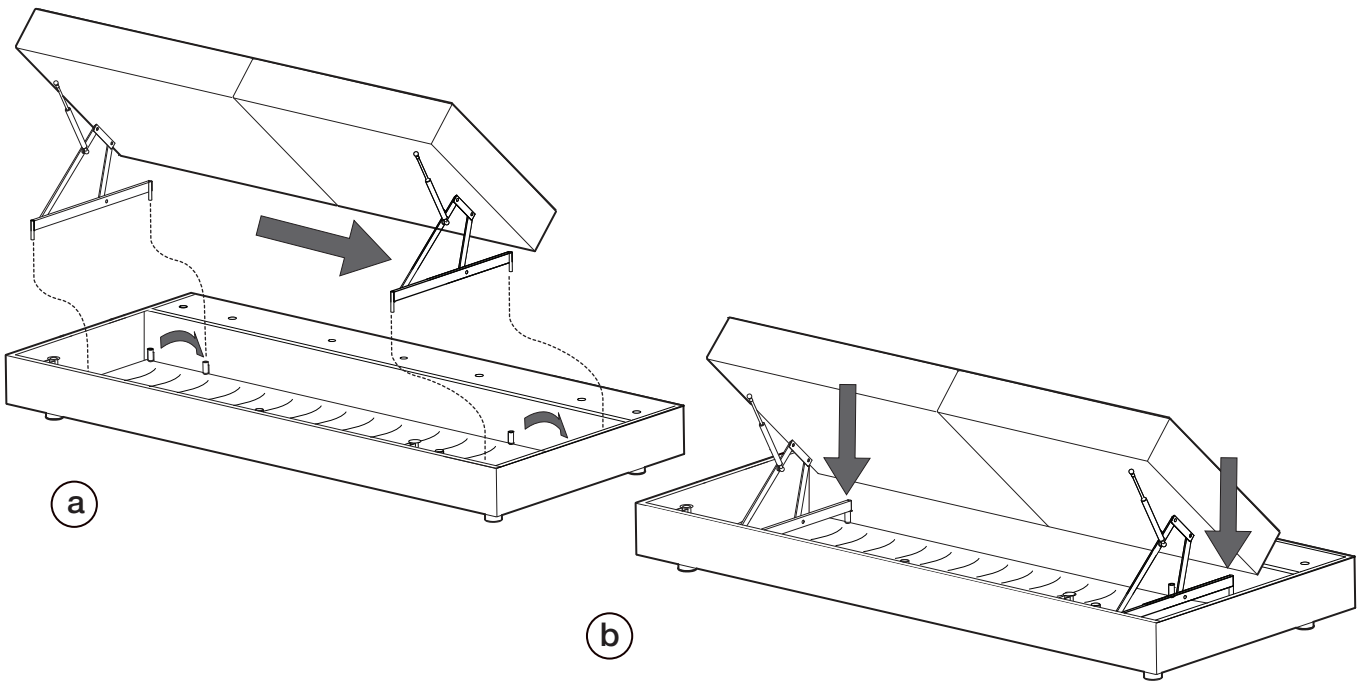
1



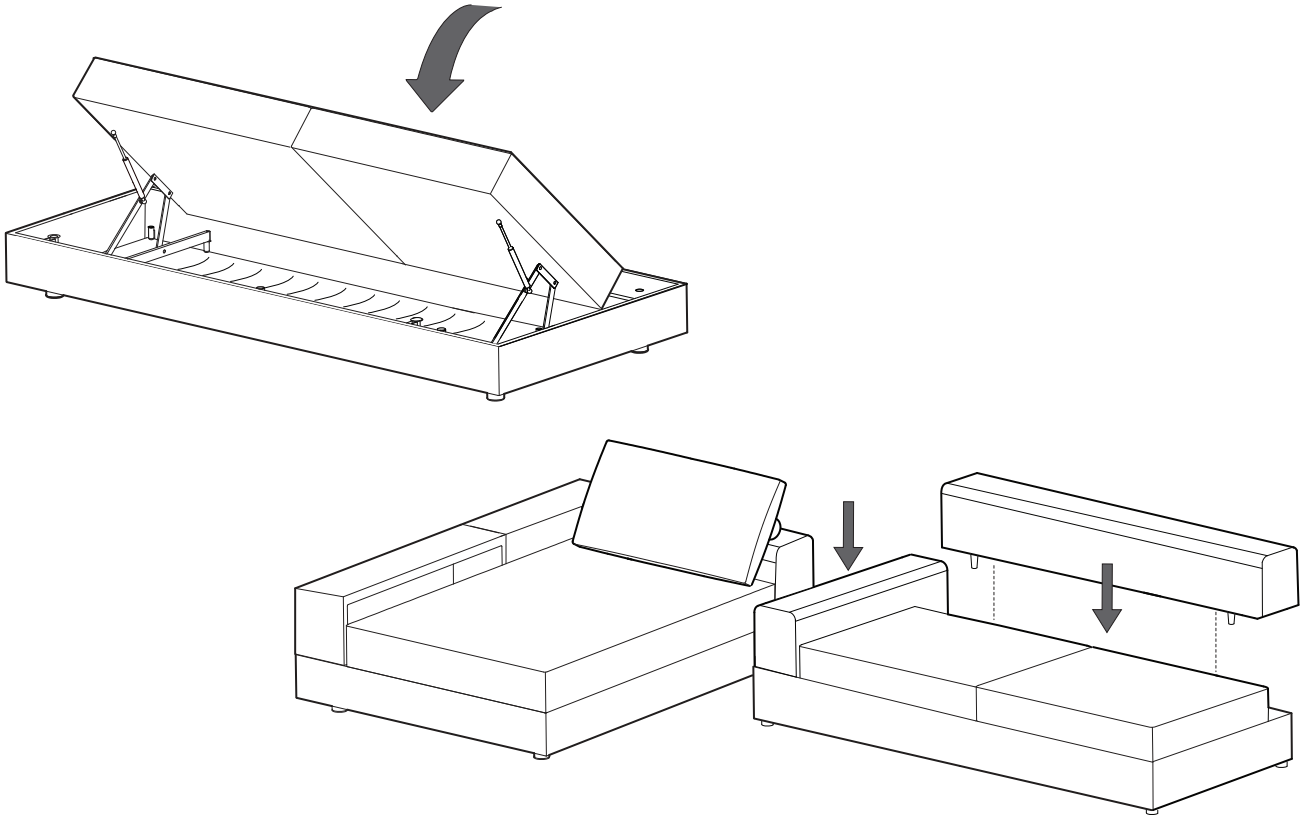
2



3

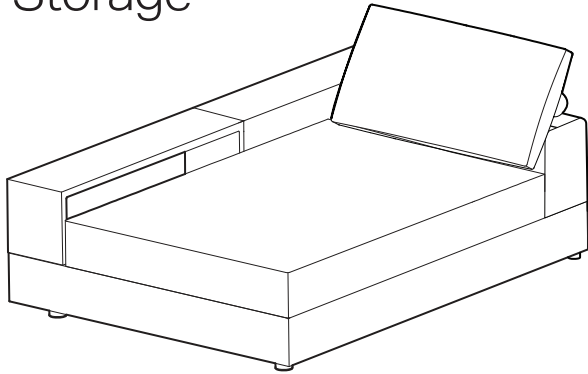


4

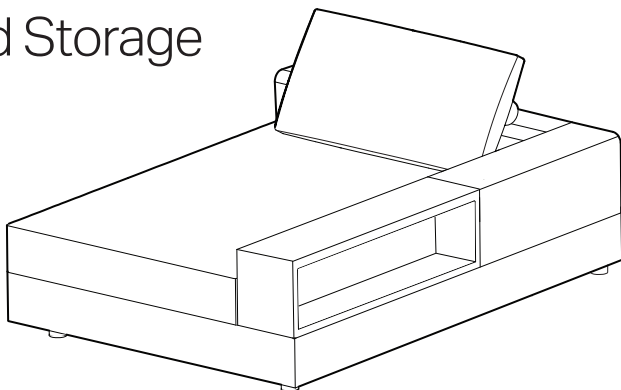


## Storage Platform Reconfigure - Chaise

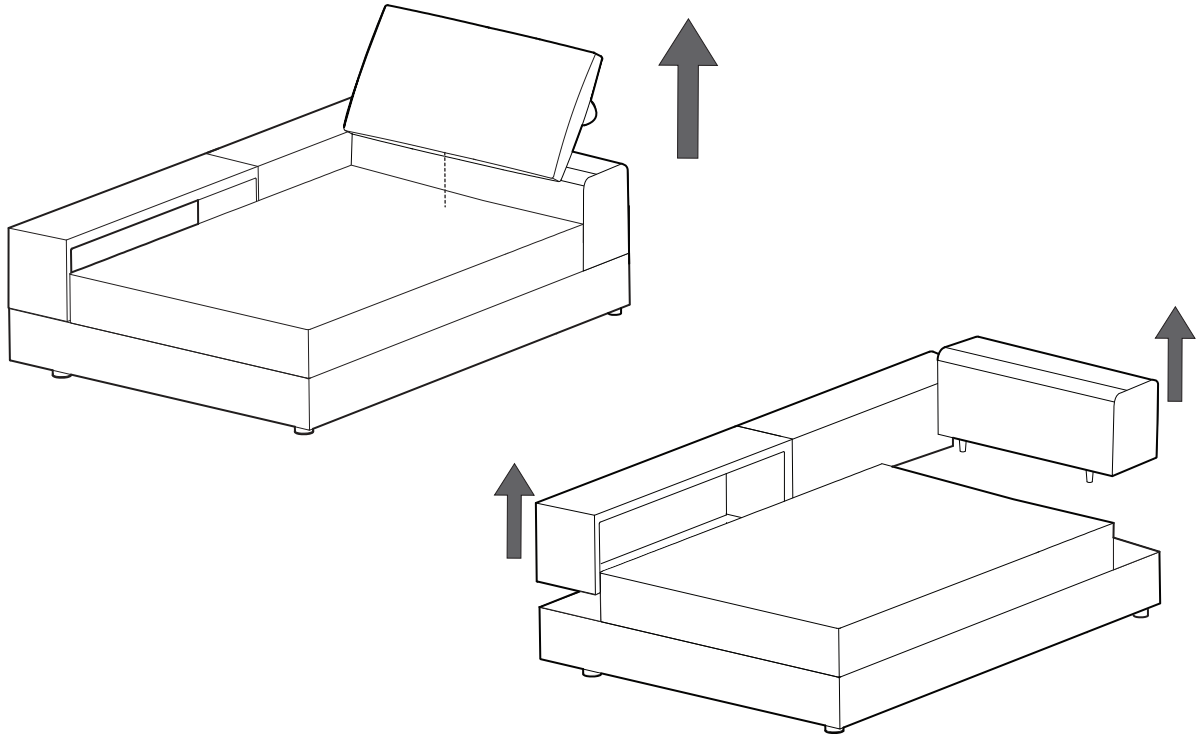
Left Hand Storage




Right Hand Storage

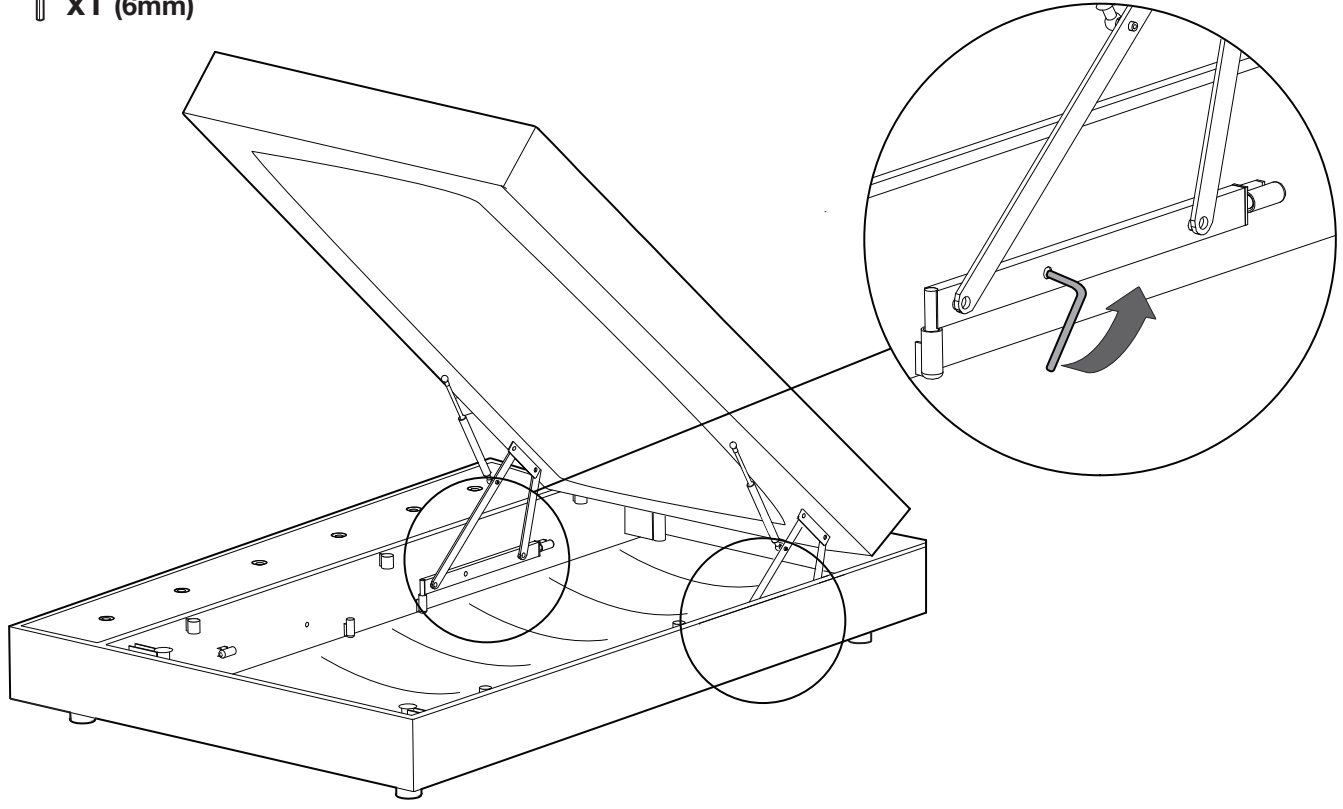


1

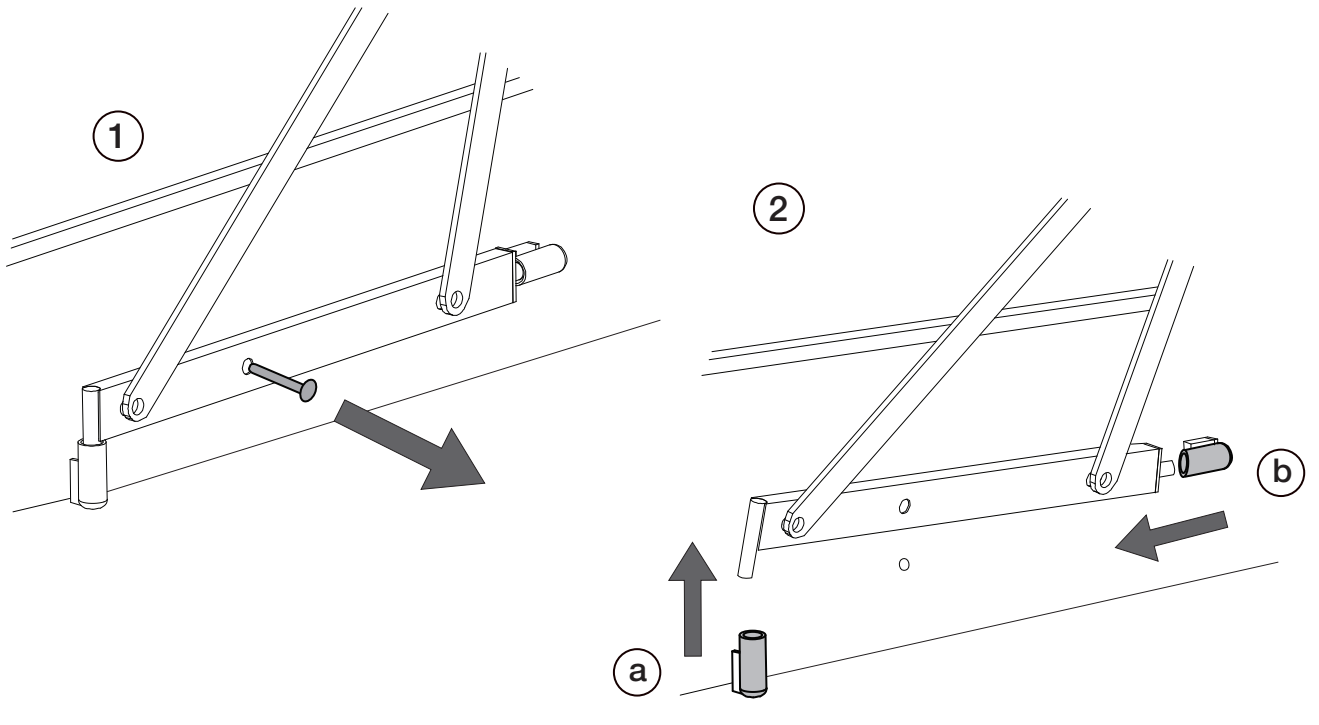


2

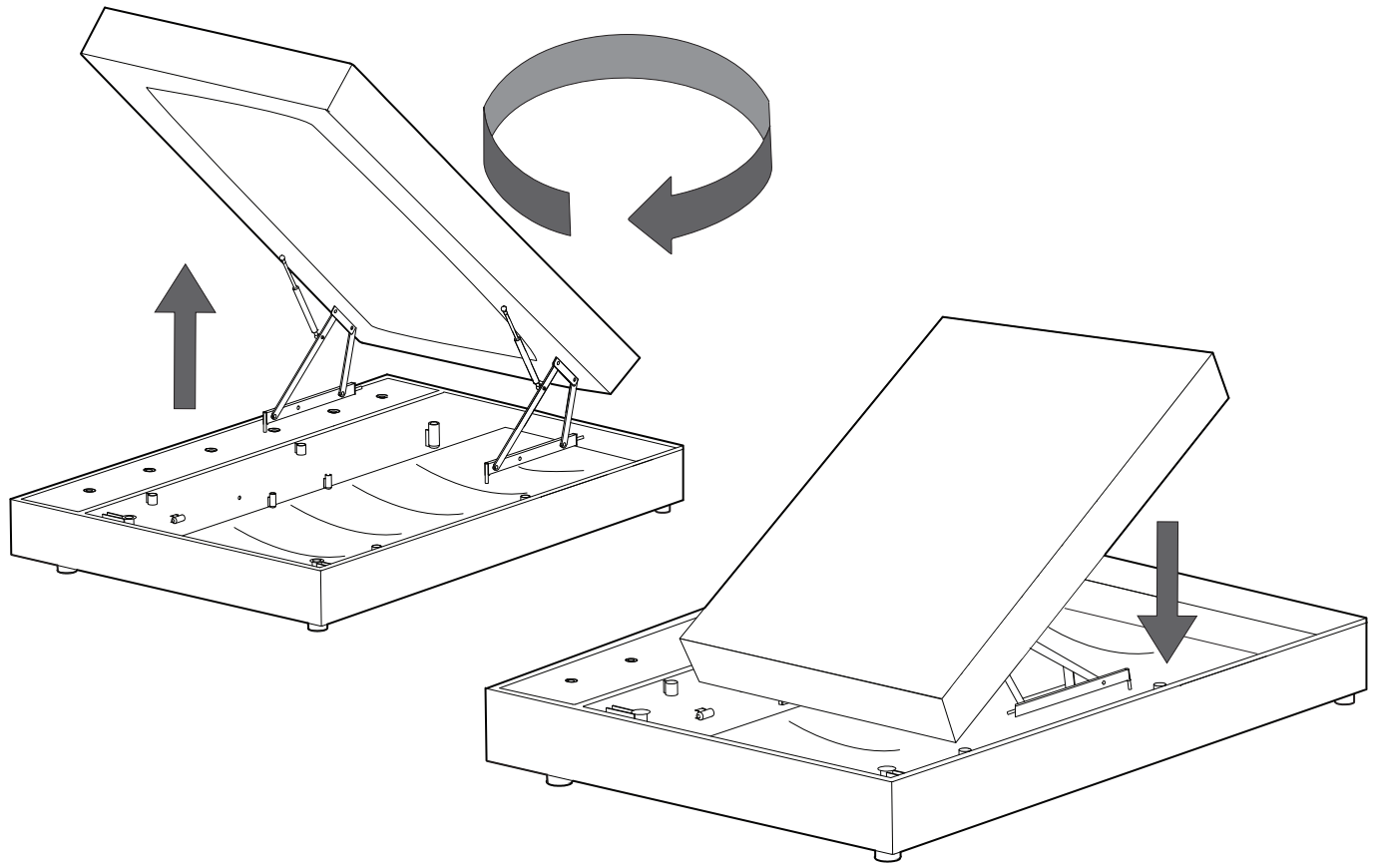
 x1 (6mm)



3



4



5

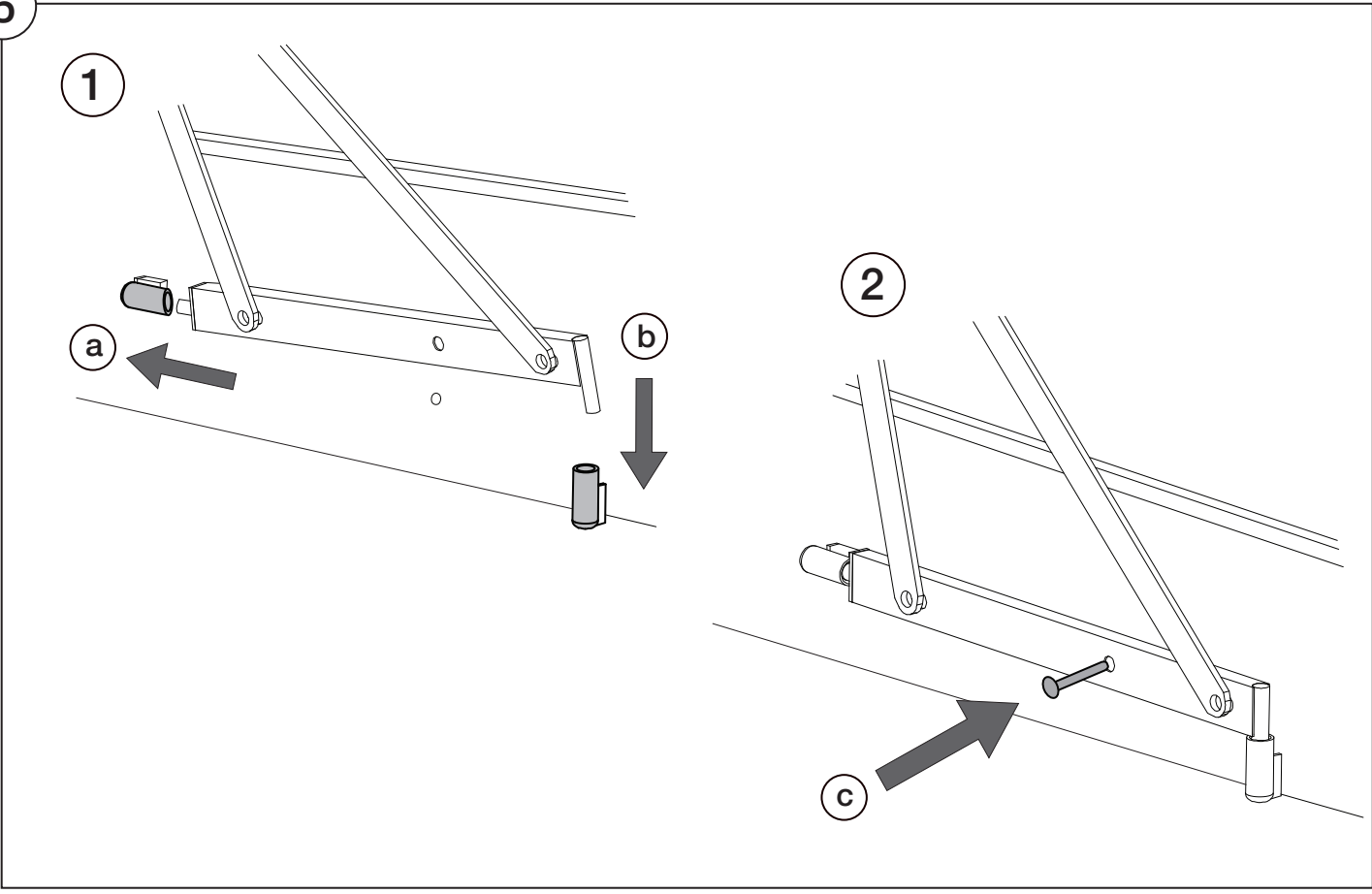
1

a

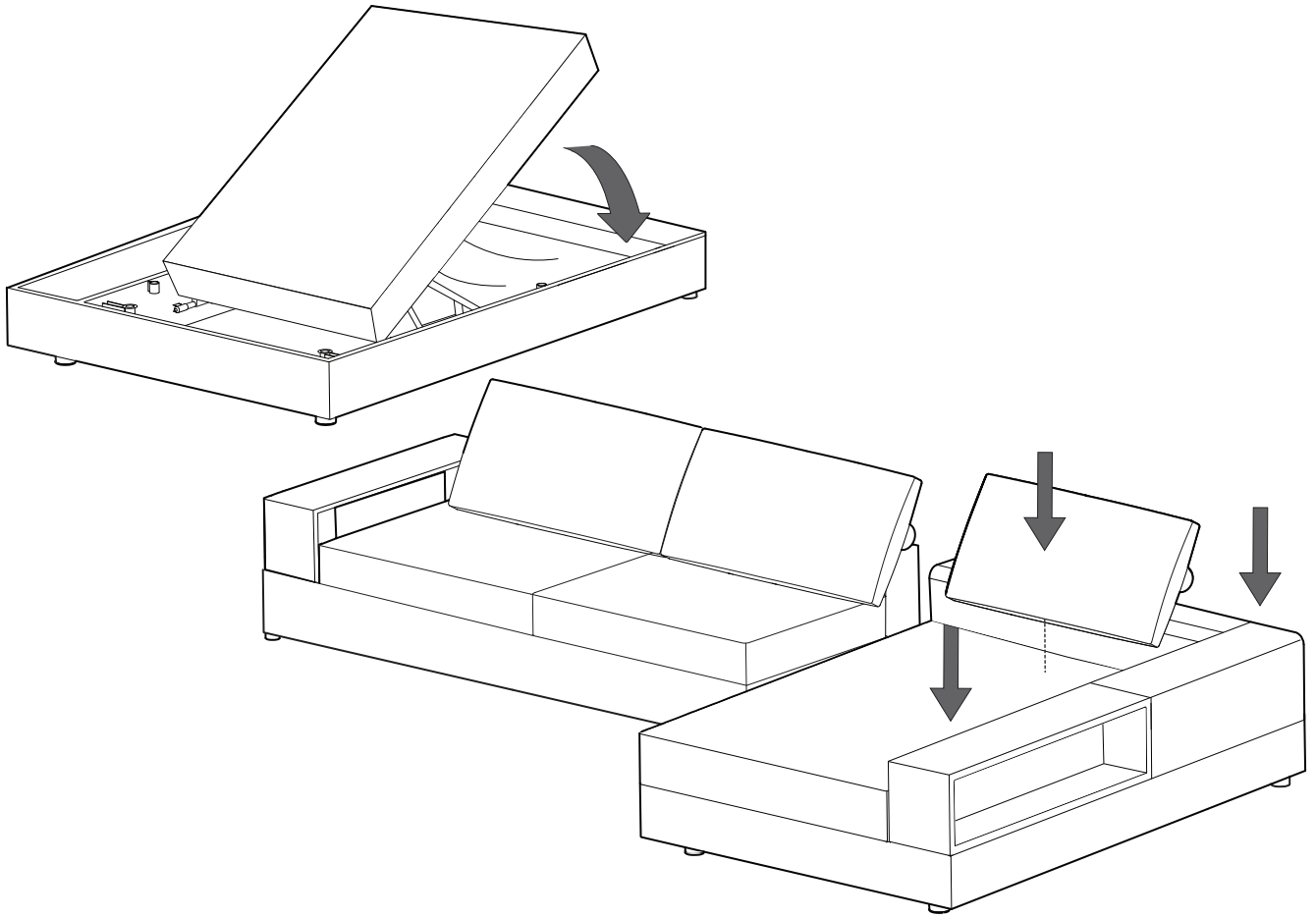
b

2

c



6

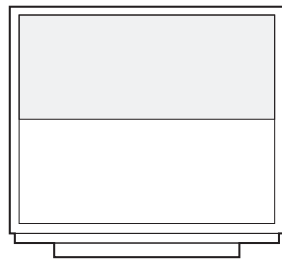


# Jasper Media Console

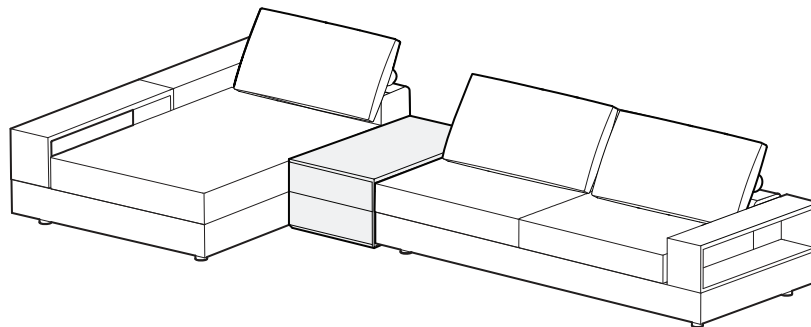
# KING

## Features

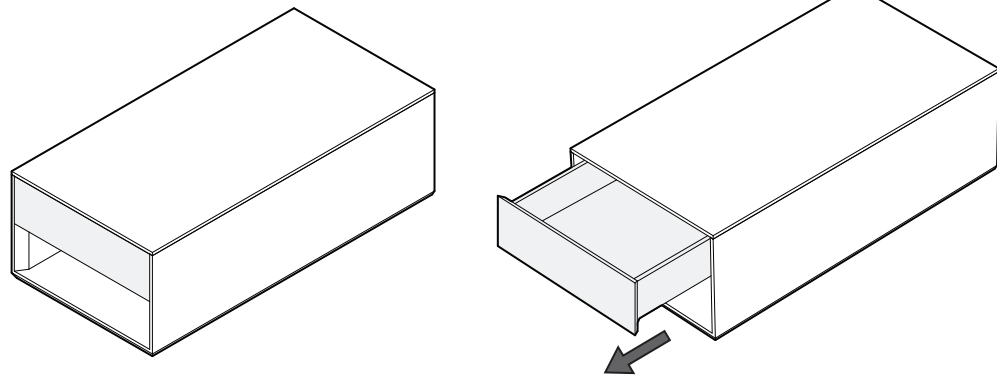
MC 52



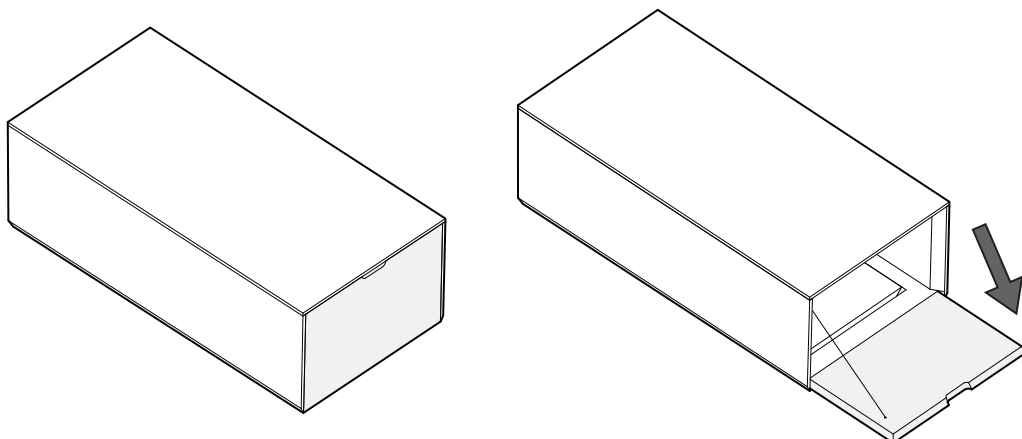
MC 38



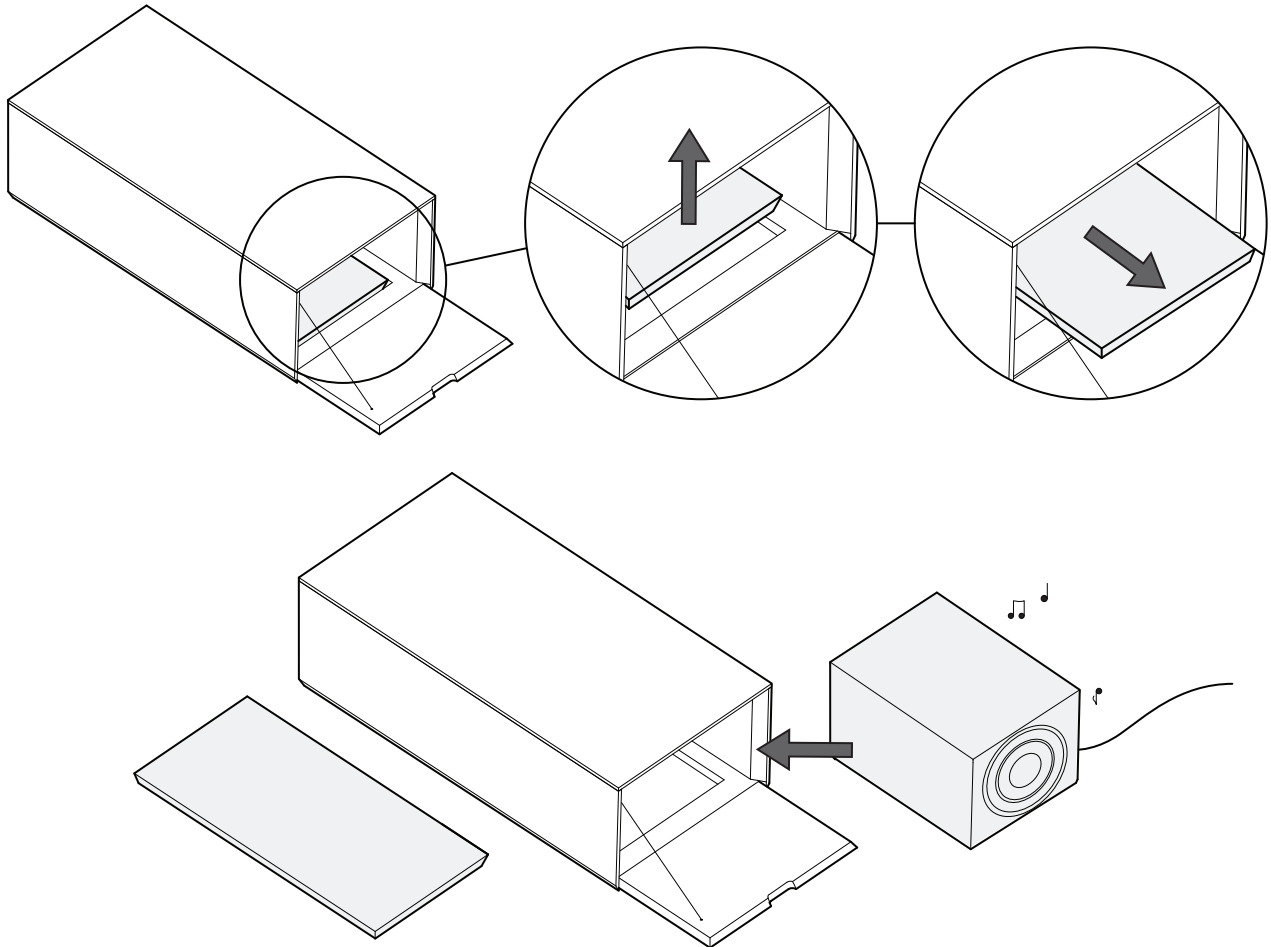
Drawer



Storage



## Base Removal for Subwoofer



## Concealing Cables

