

Haven

Assembly | User Guide

Two people are required for safe assembly

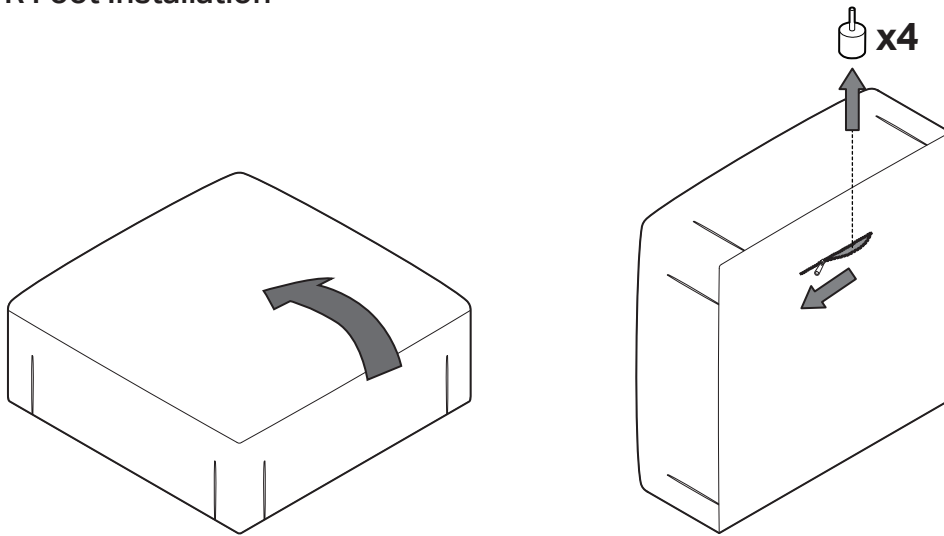
Opening Boxes:

DO NOT use a knife to open the packaging as you may damage your furniture.
Peel off the tape, then lift & separate the cardboard flaps to open.

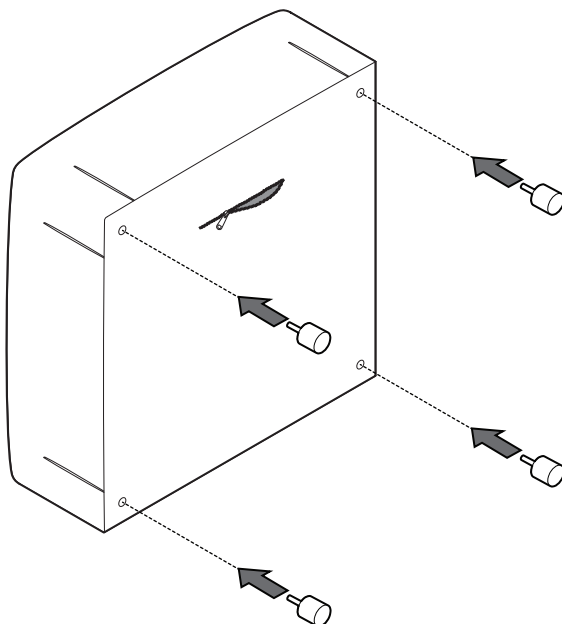
Assemble your furniture by following the instructions below.

1

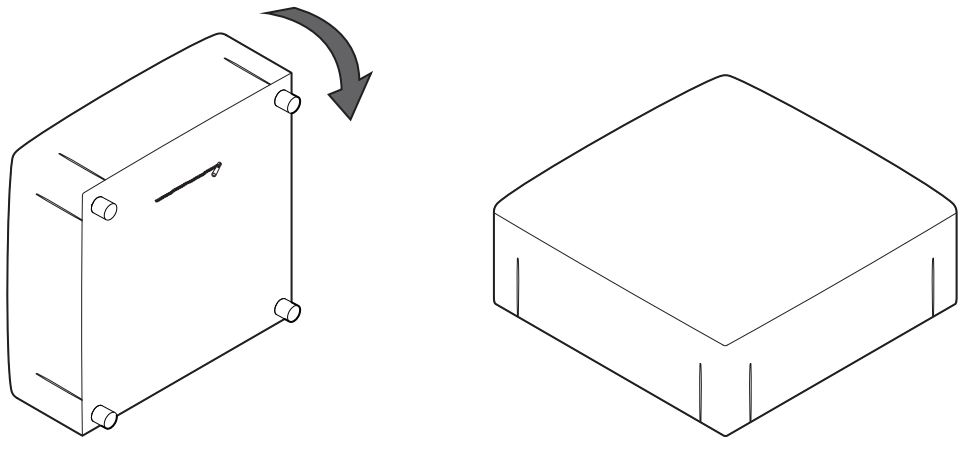
1STR & 2STR Foot Installation



2

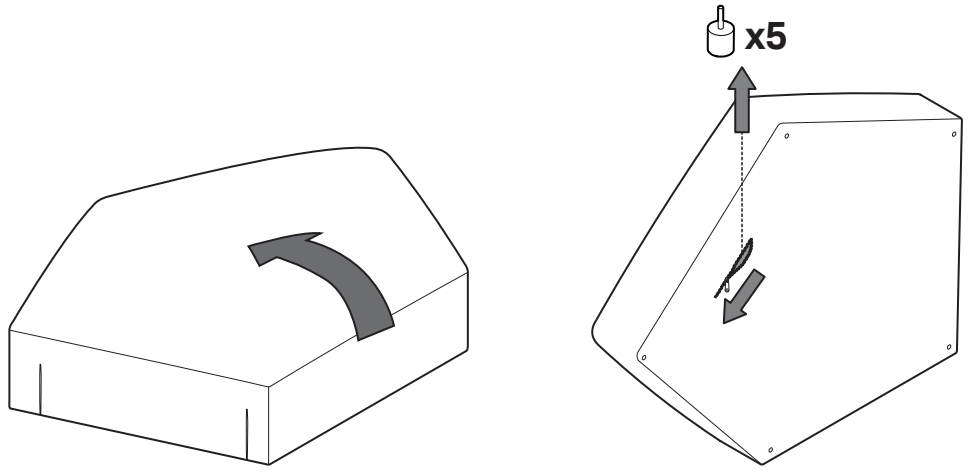


3

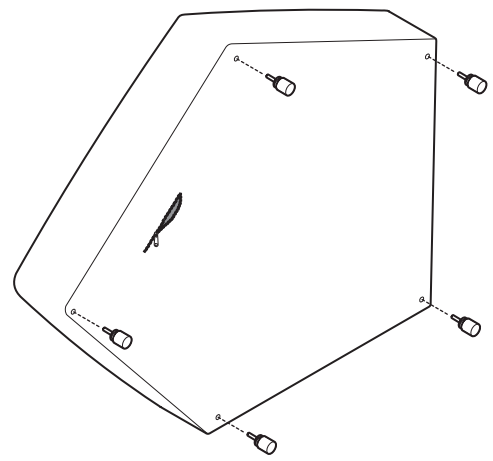


4

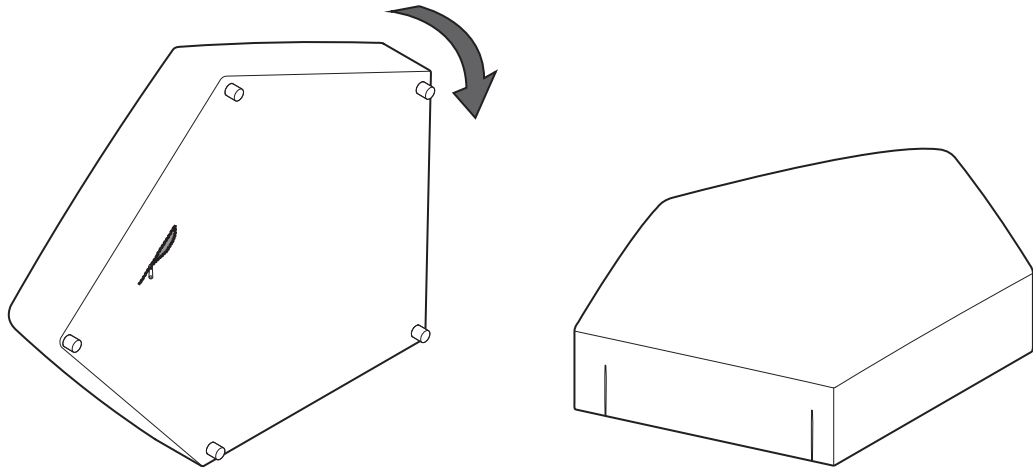
Keystone Foot Installation



5

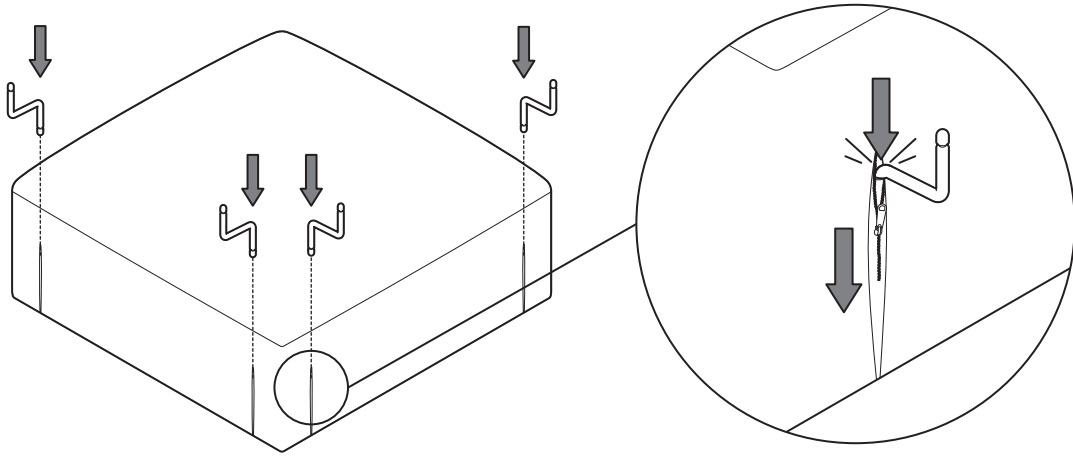


6

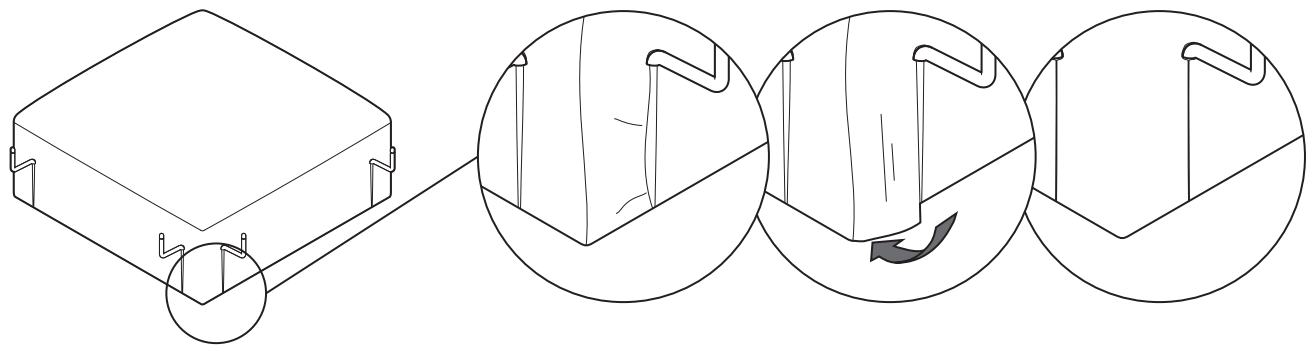


7

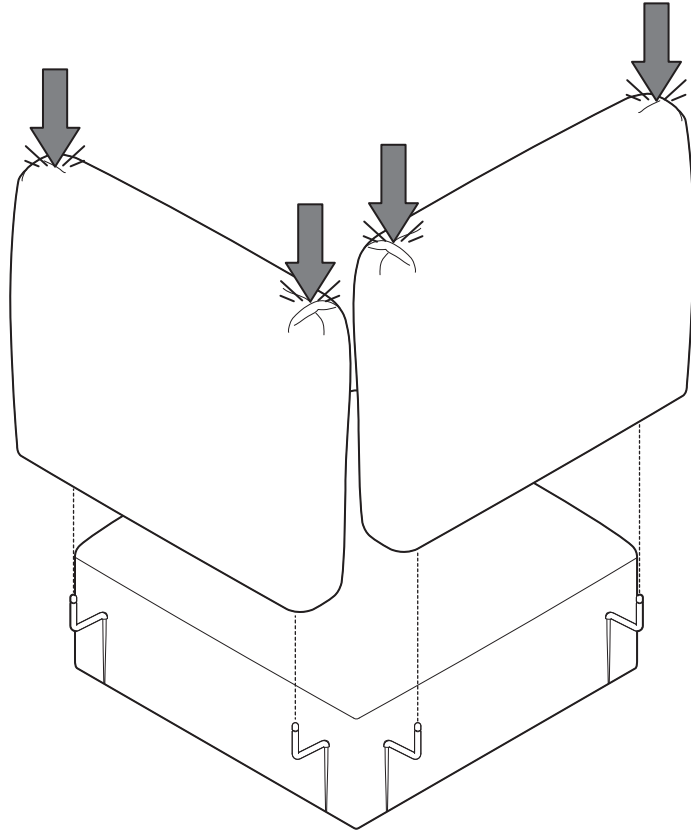
Haven Back Installation



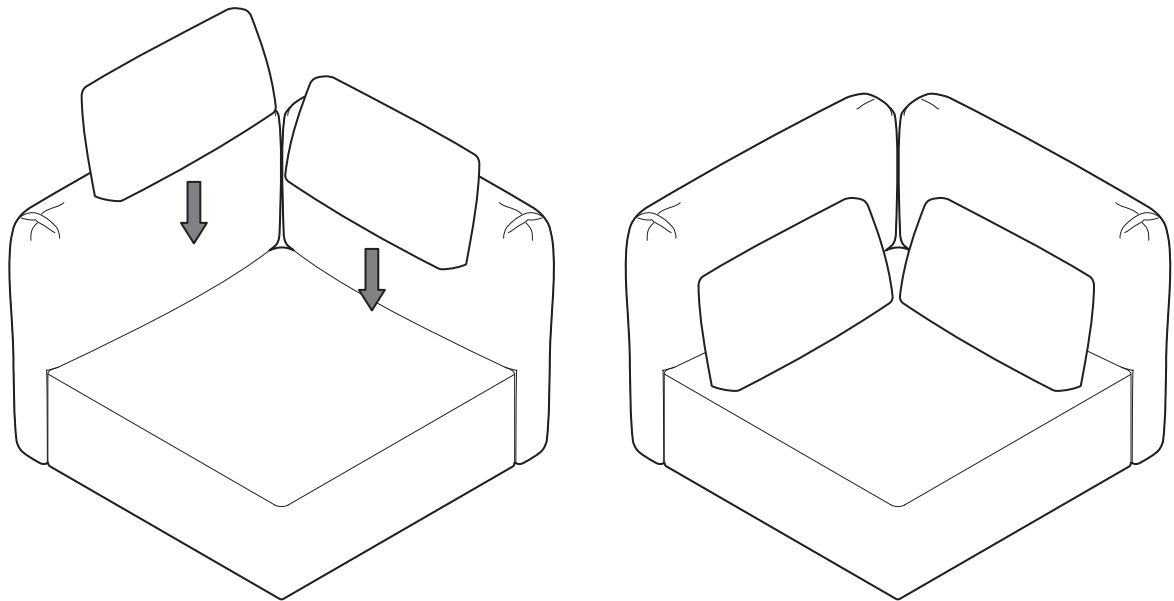
8



9

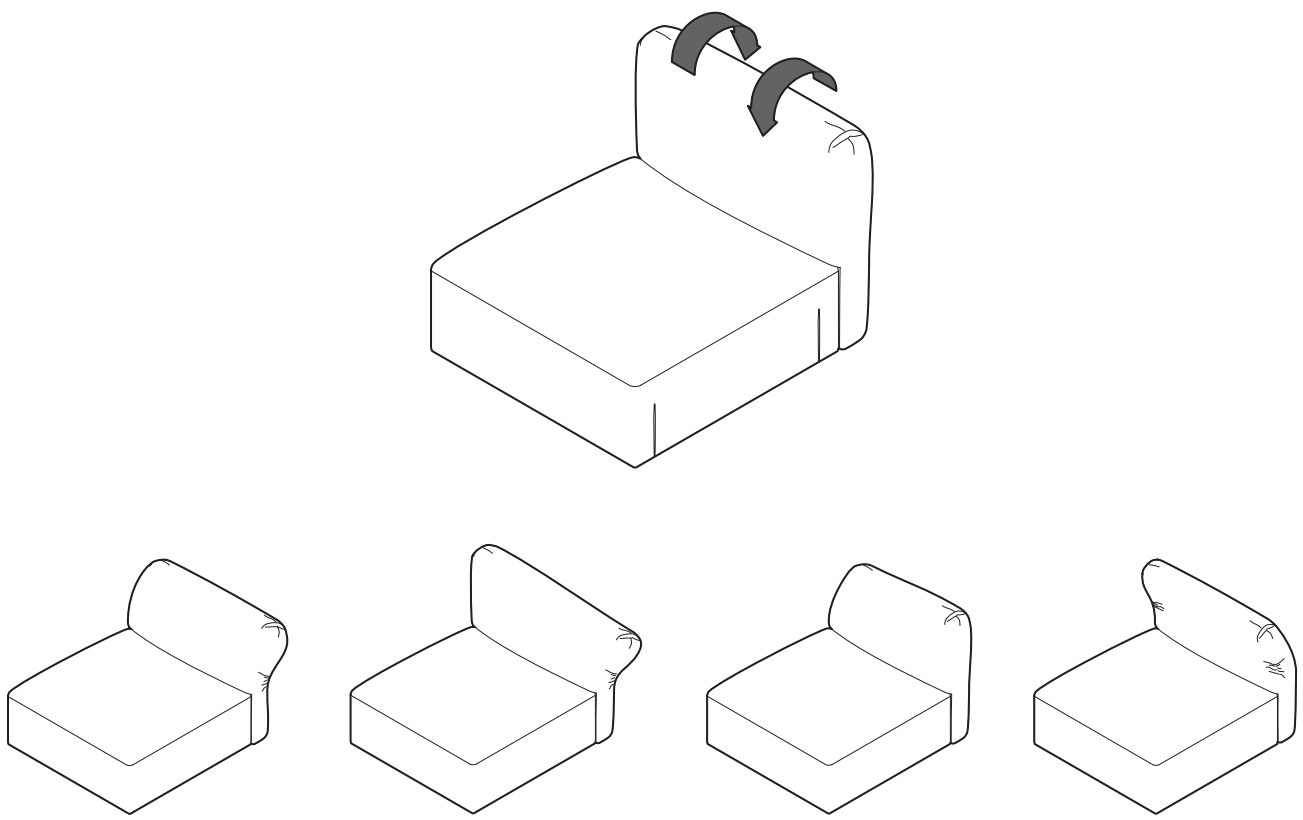


10



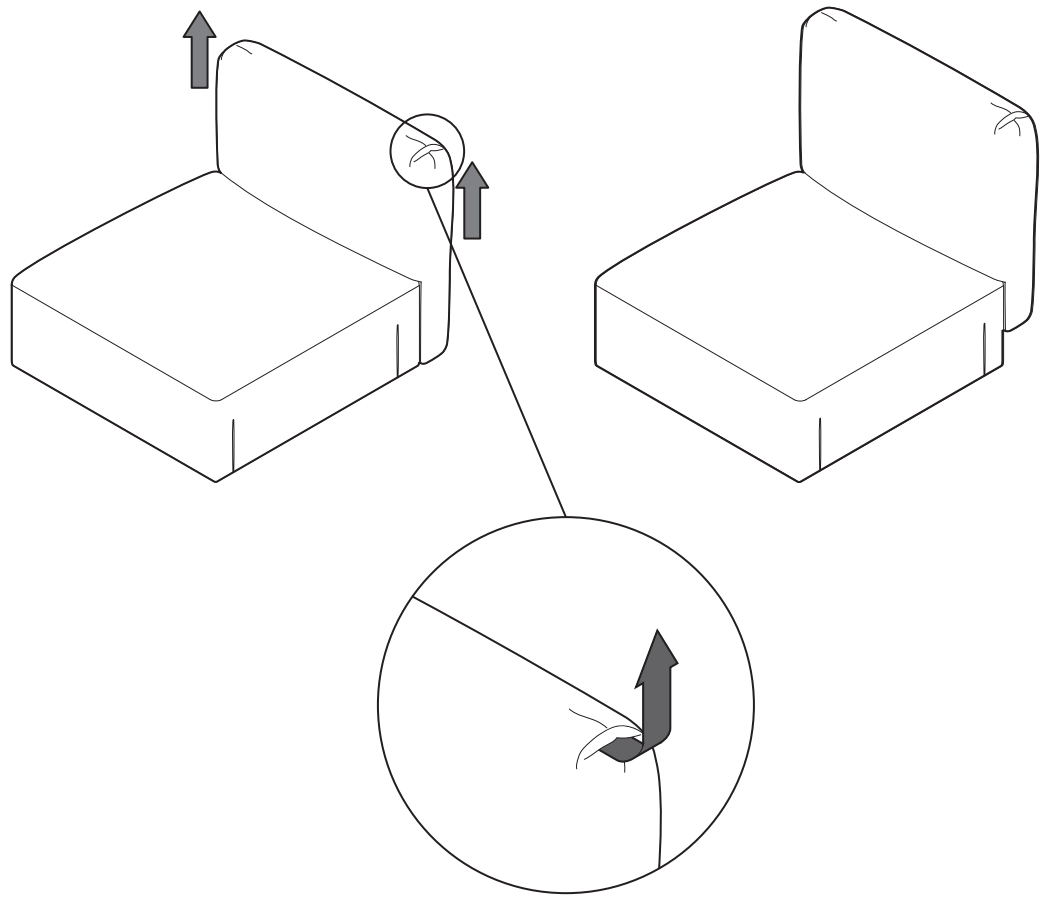
11

Adjusting Haven Back Angle



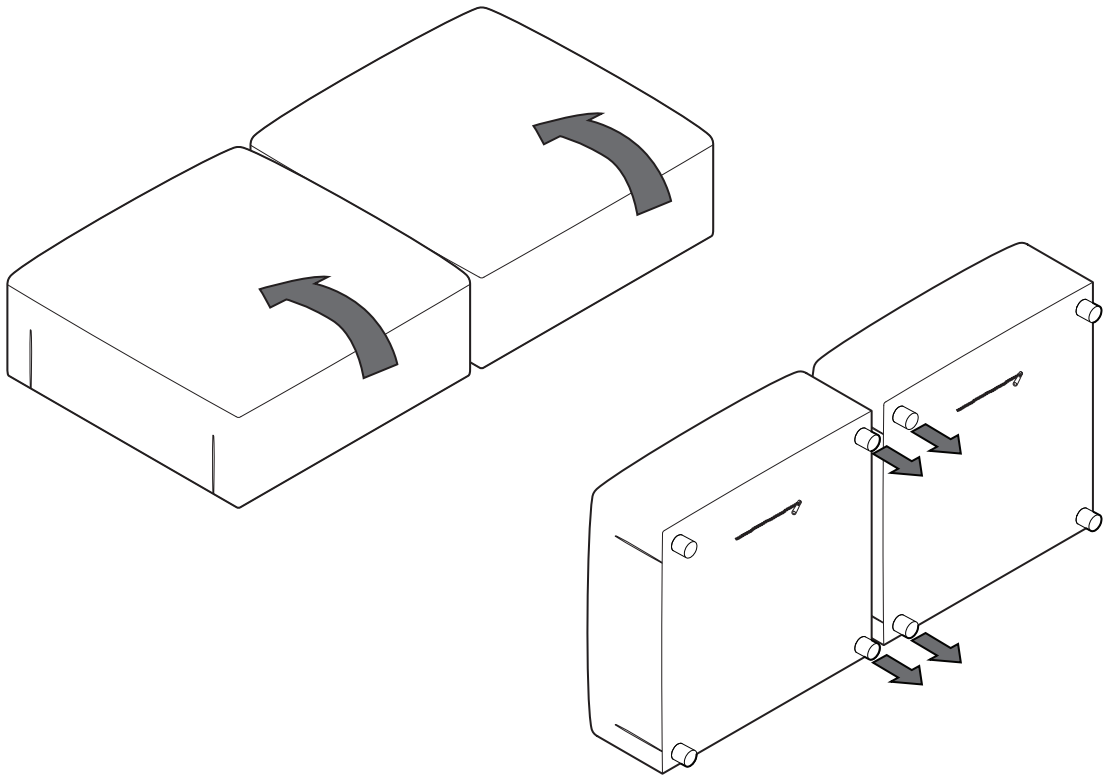
12

Adjusting Haven Back Height

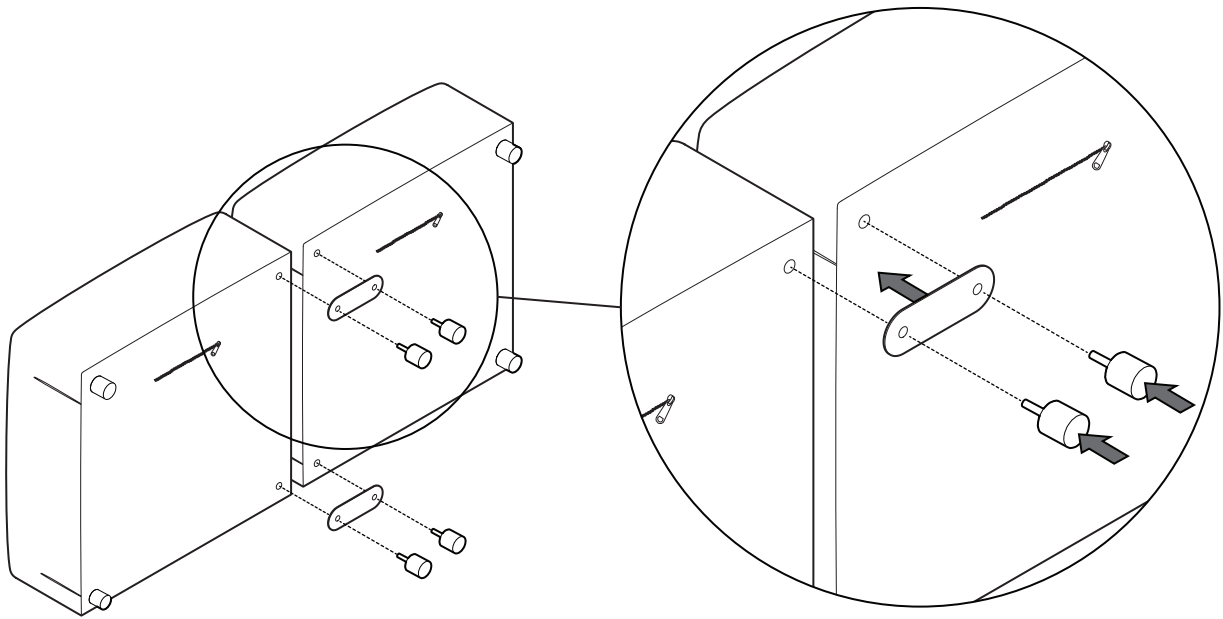


13

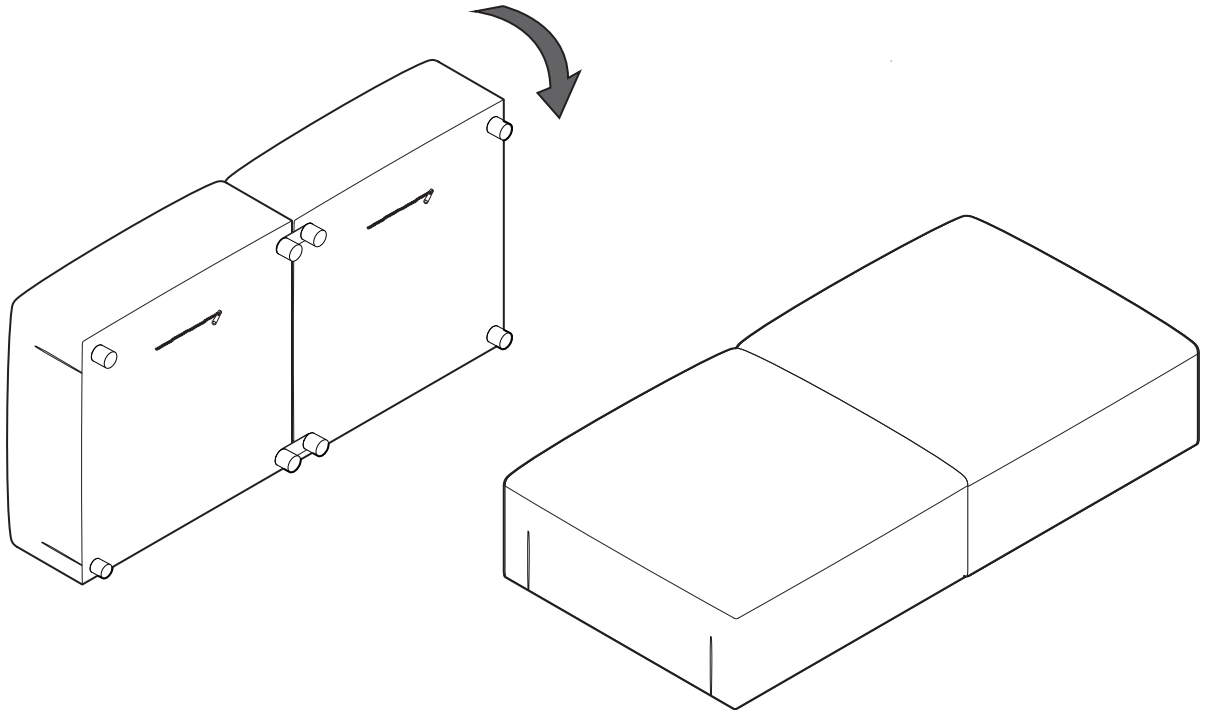
Universal Joiner Installation



14



15



16

