

Quay Extension Dining Table

Assembly | User Guide

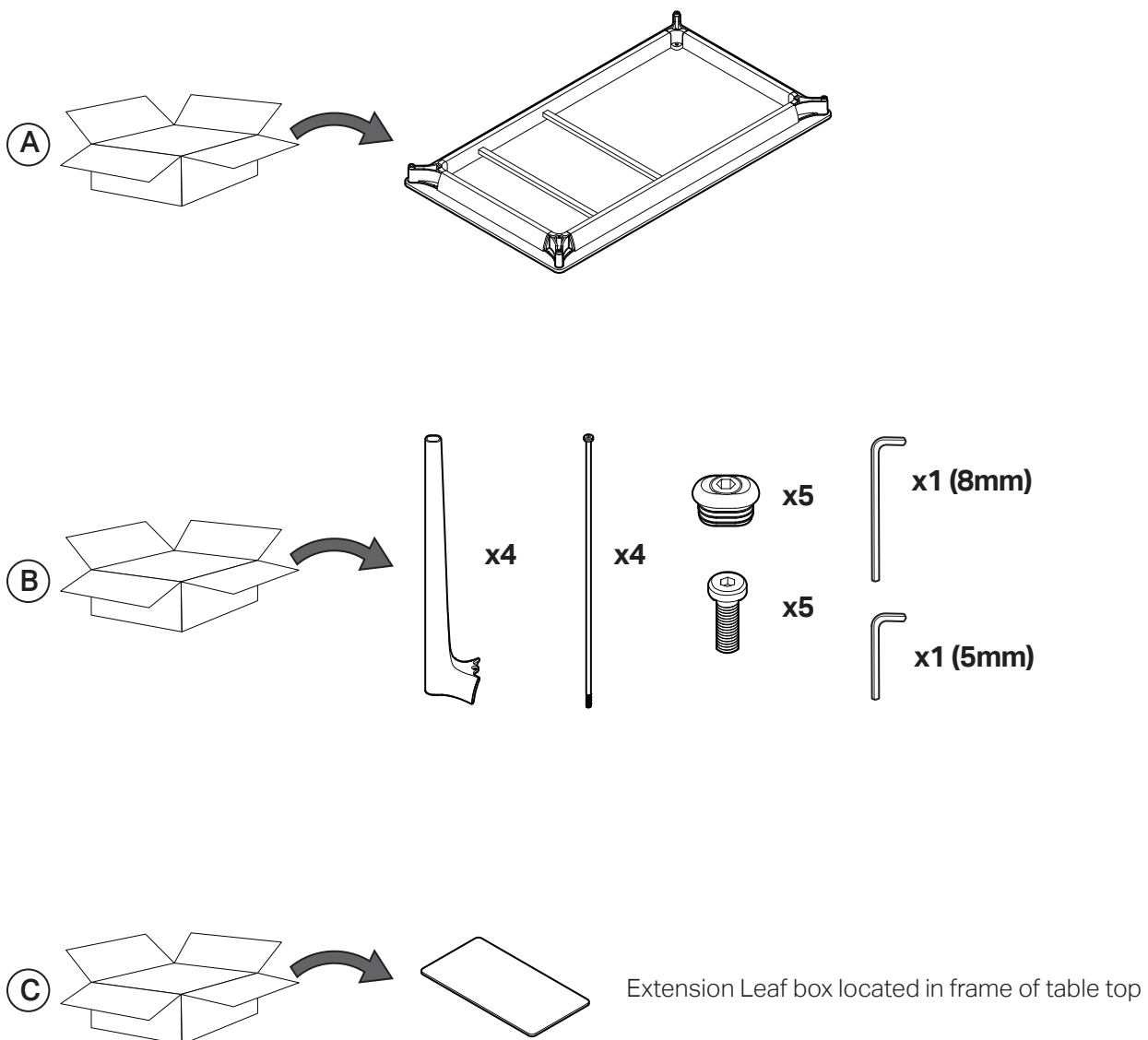


Two people required for safe assembly

Opening Boxes: DO NOT use a knife to open the packaging as you may damage your furniture. Peel-off the tape, then lift and separate the cardboard flaps to open.

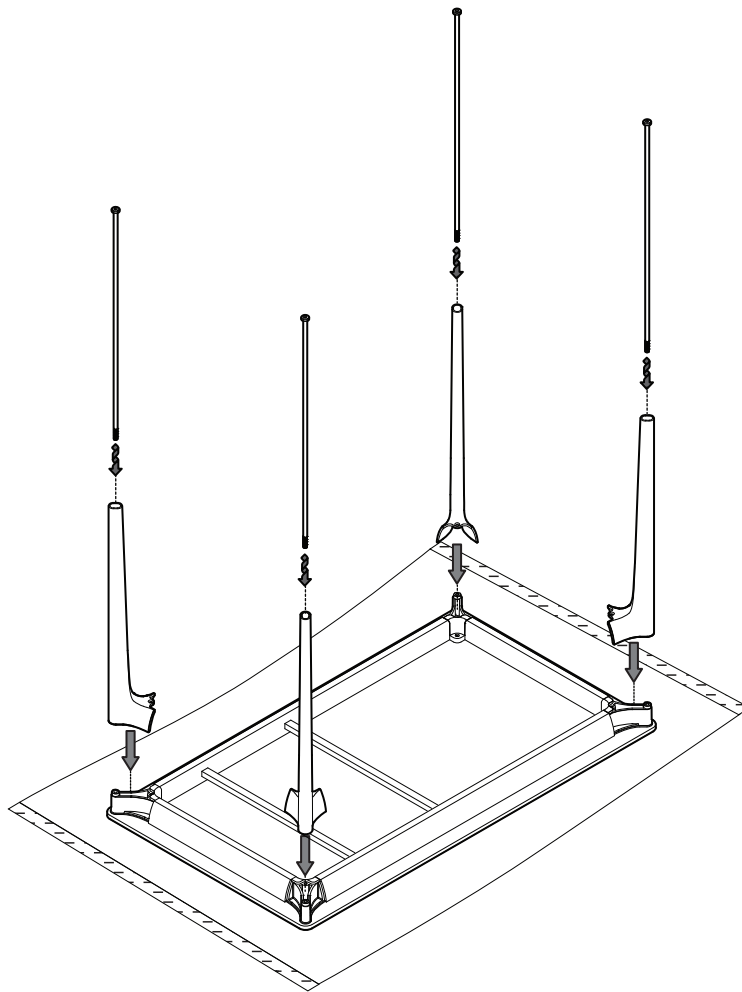
Please follow these Assembly | User Guide Instructions

Product Care



1

8mm

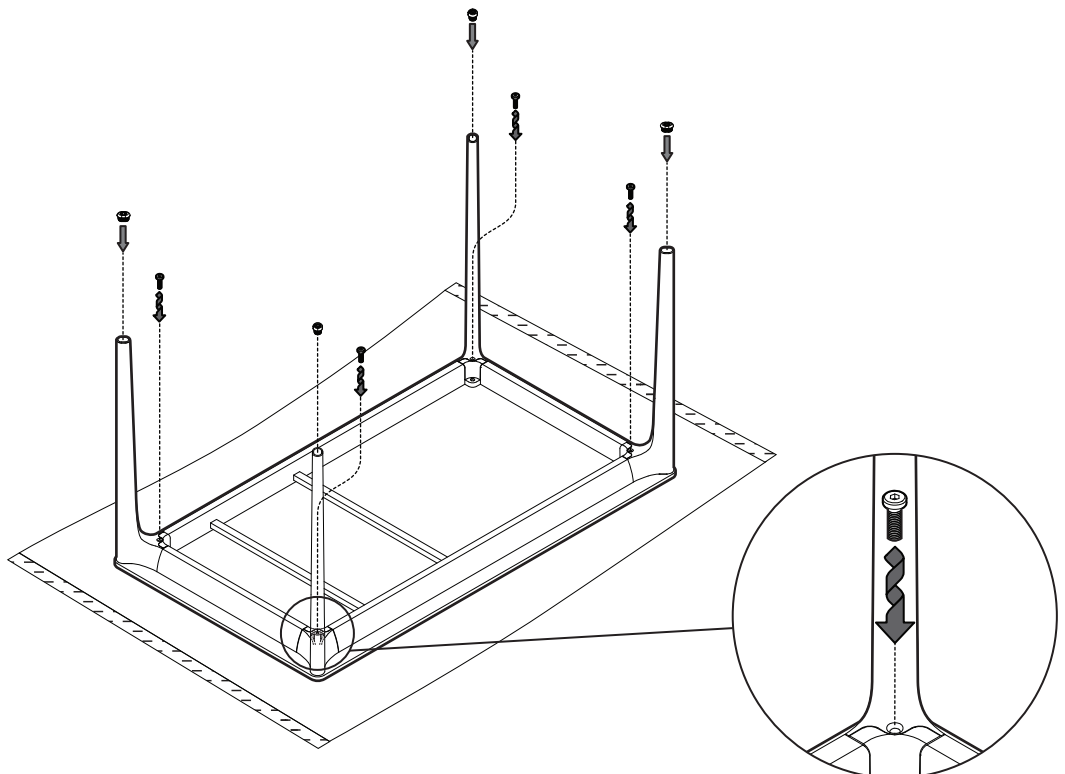


2

x4

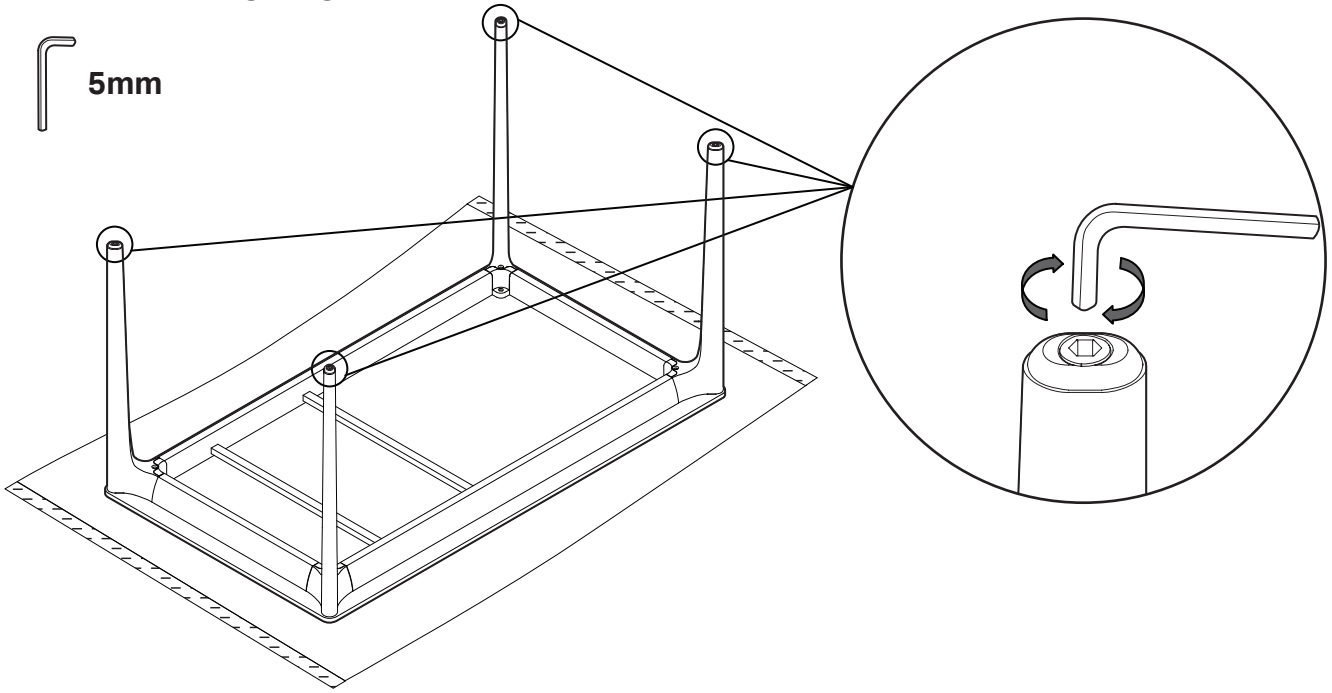
x4

5mm

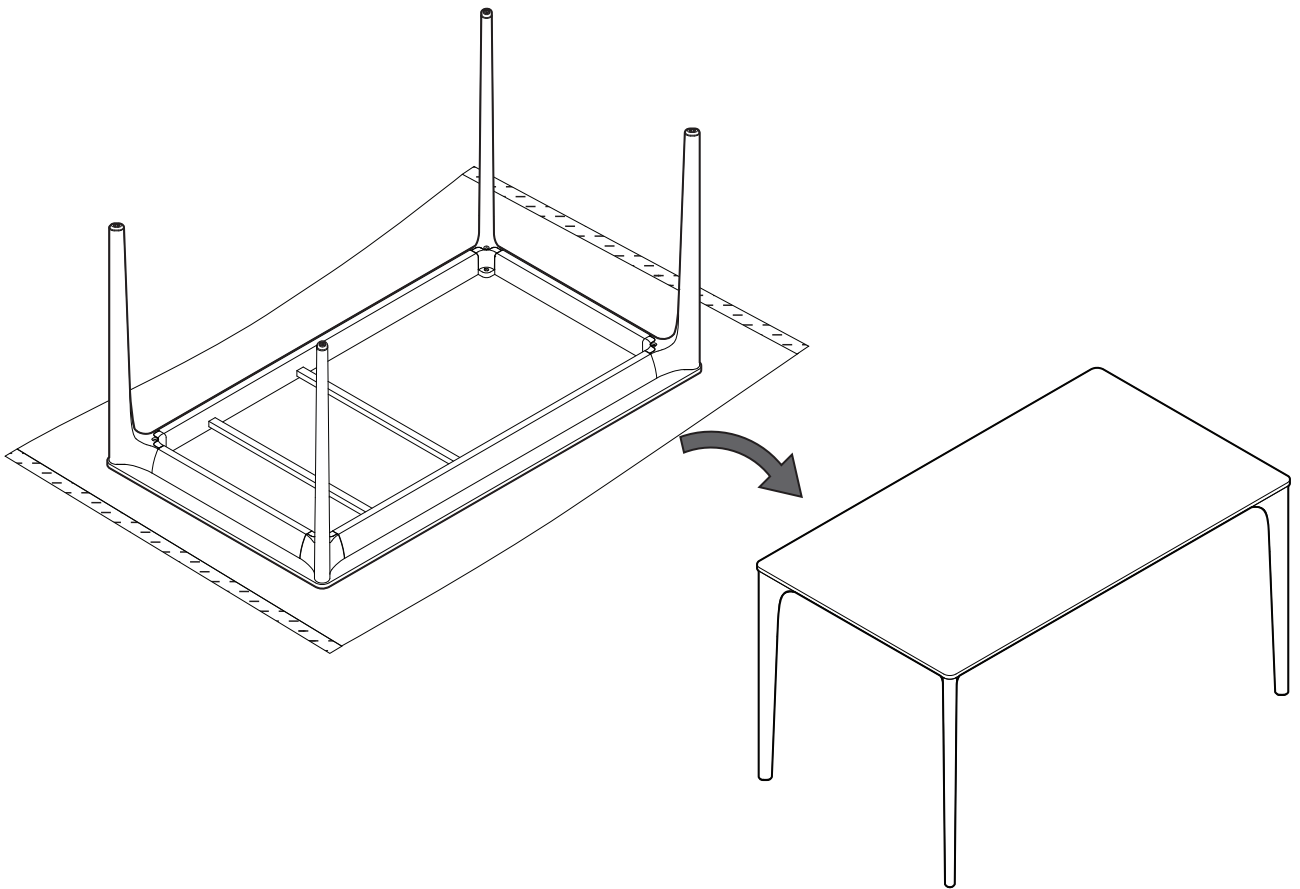


3

Adjustable Leg Height

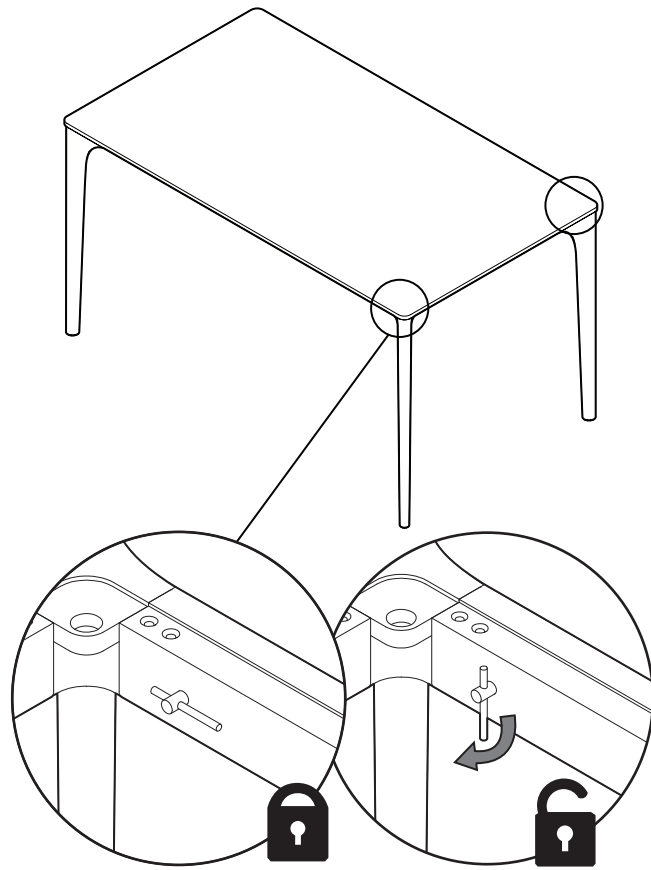


4

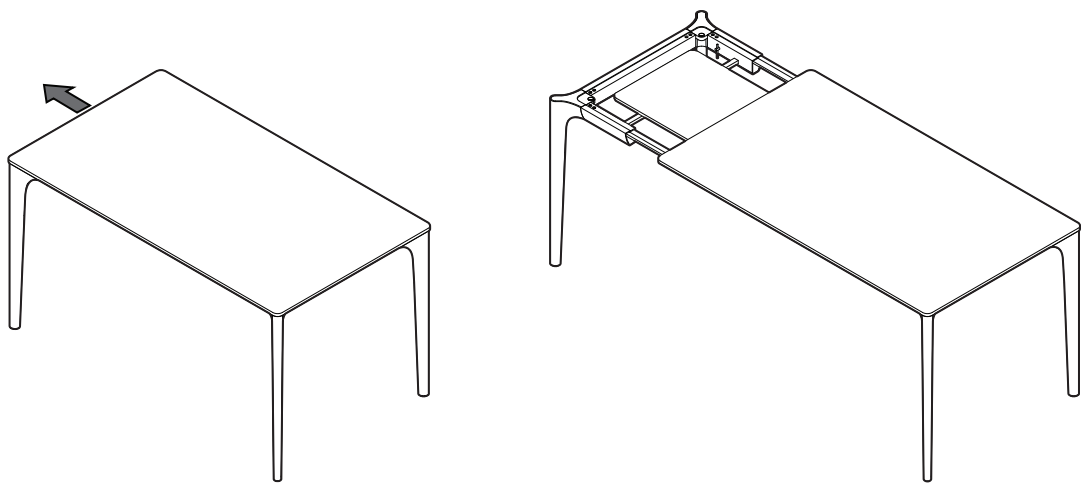


5

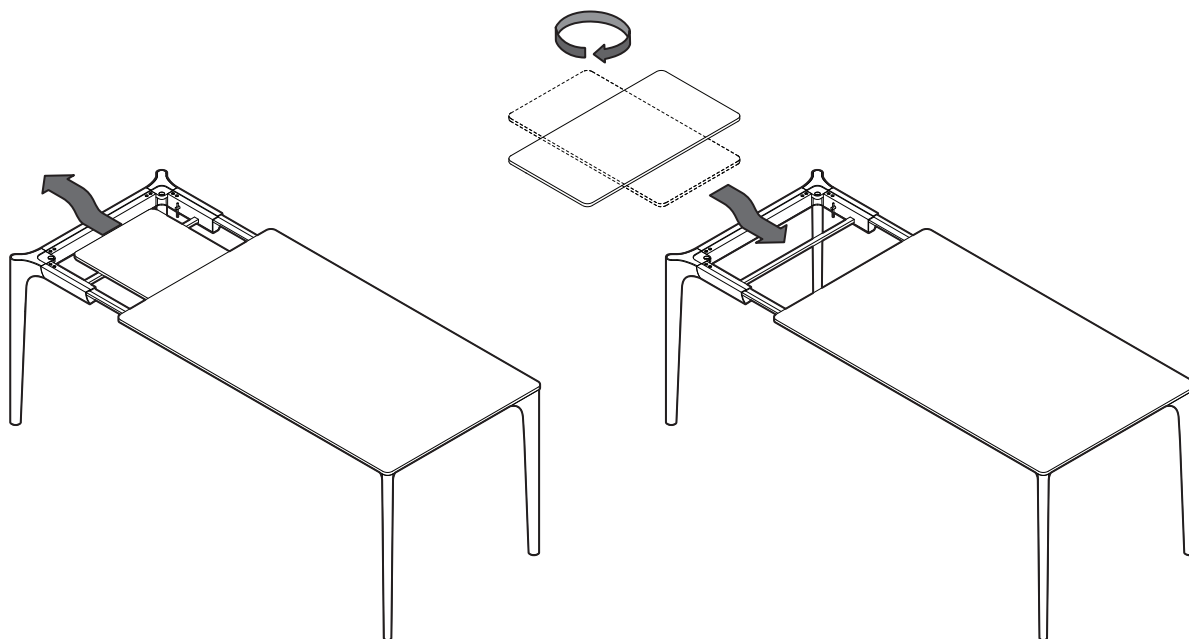
Extension Leaf



6



7



8

