

## Heritage Oval Extension Table

### Assembly | User Guide

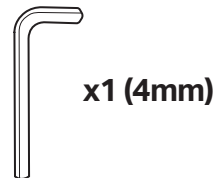
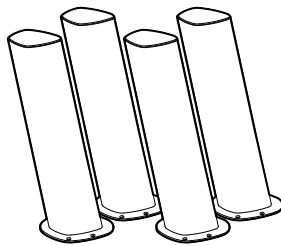
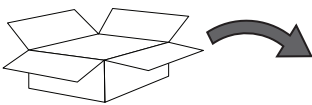
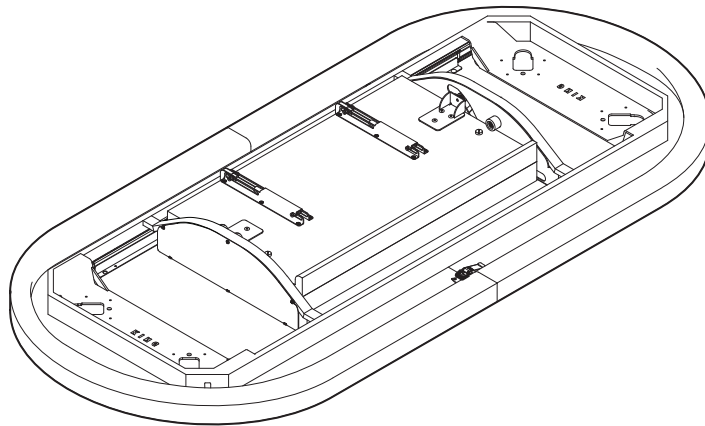
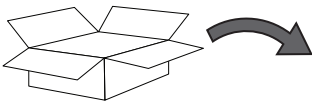
Two people are required for safe assembly

#### Opening Boxes:

DO NOT use a knife to open the packaging as you may damage your furniture. Peel off the tape, then lift & separate the cardboard flaps to open.

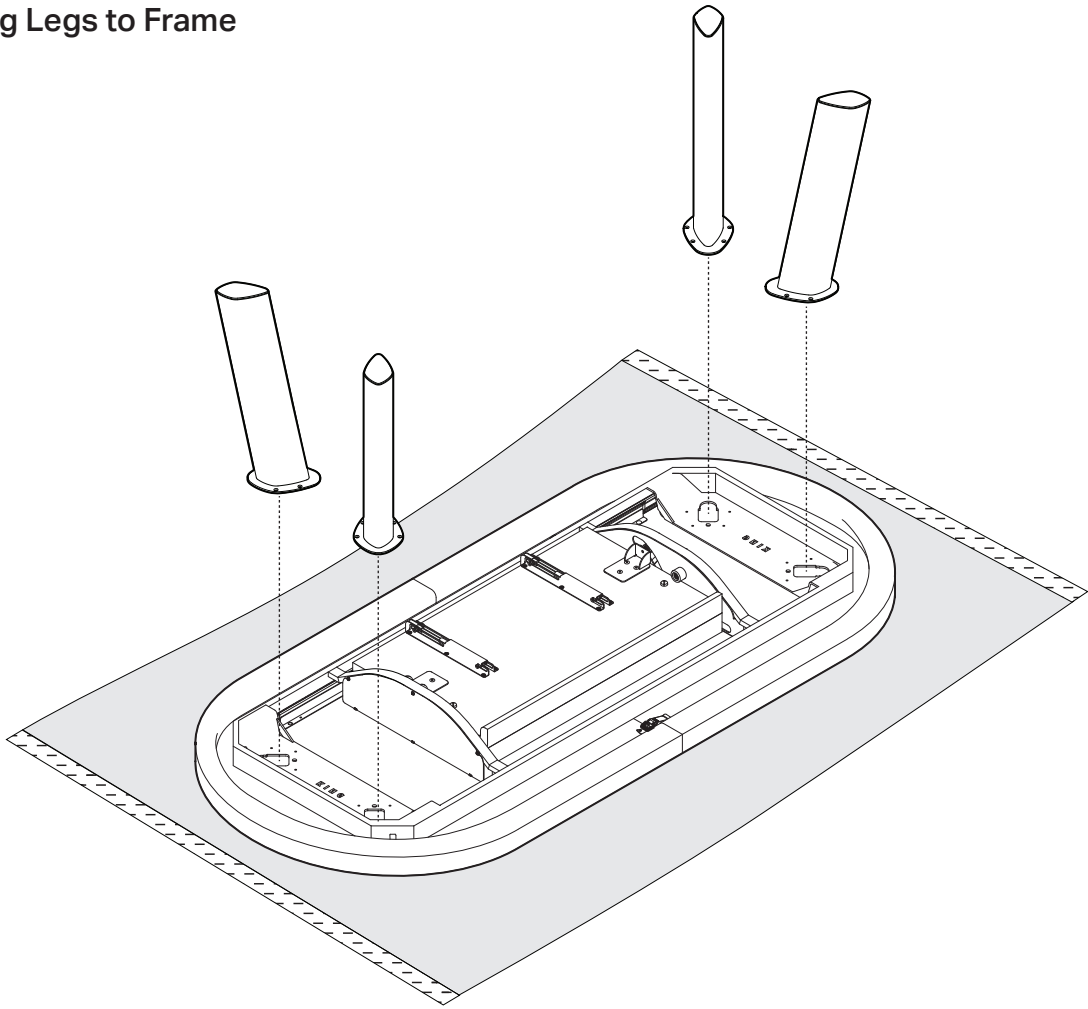
Assemble your furniture by following the instructions below.

1



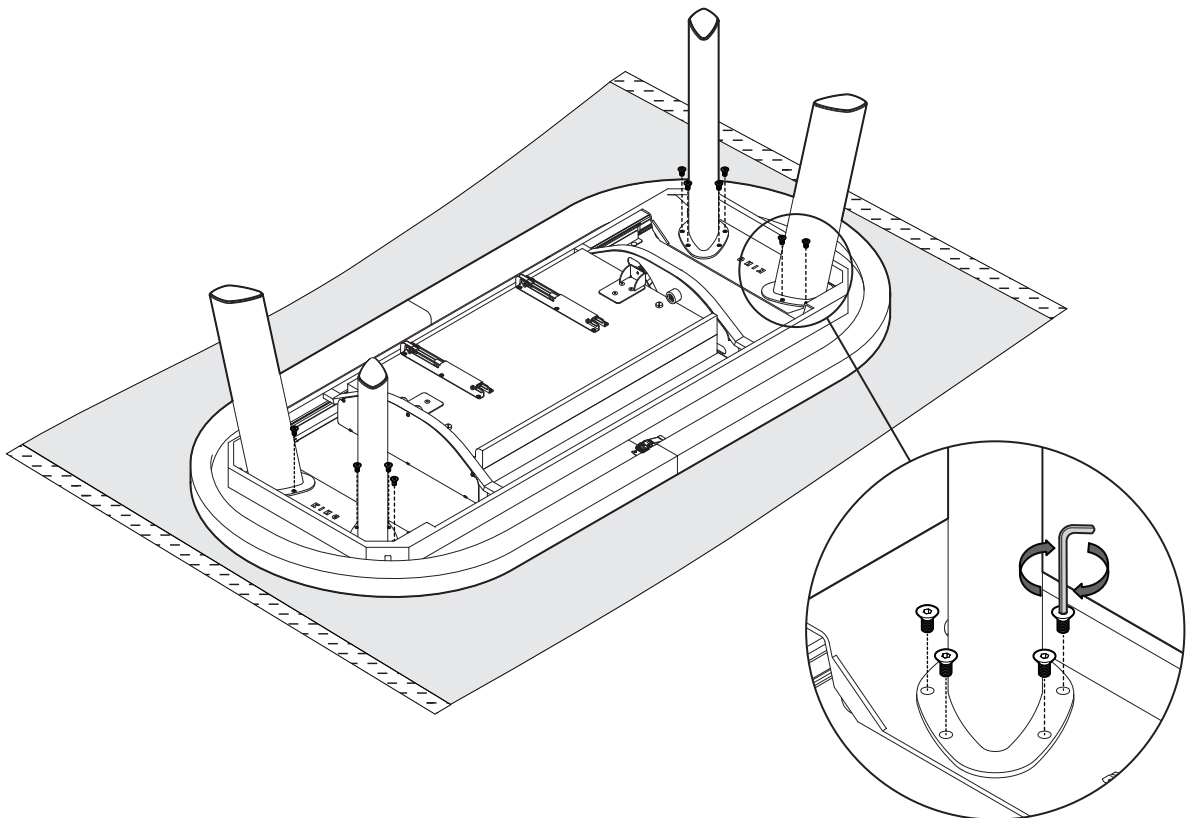
2

Attaching Legs to Frame



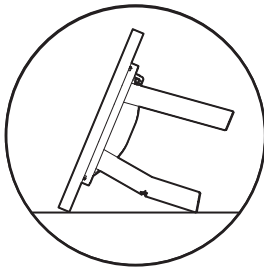
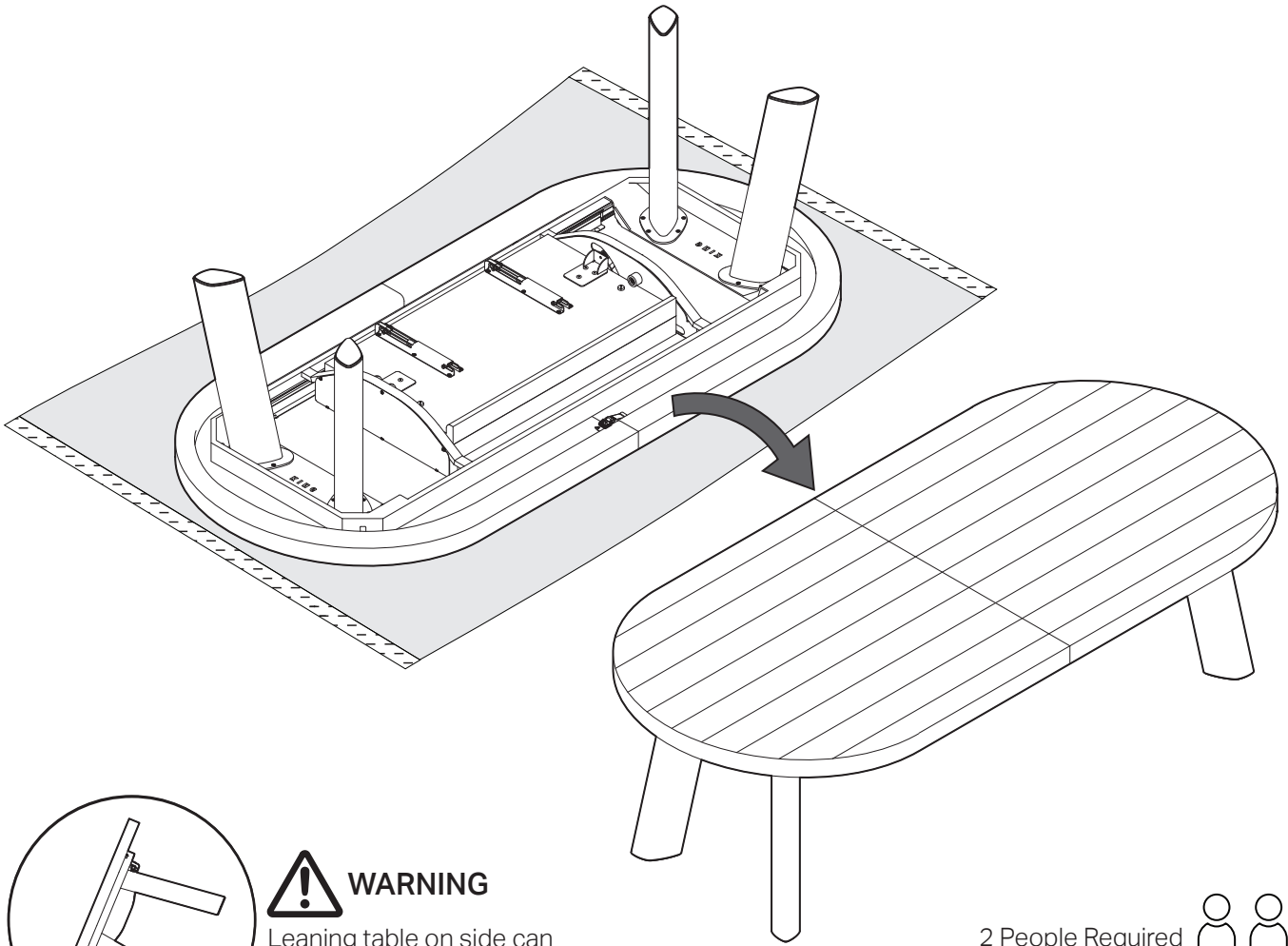
3

Attaching Legs to Frame



4

### Flip Table Over



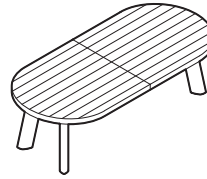
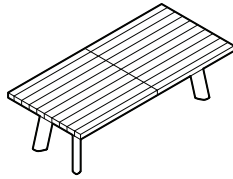
#### WARNING

Leaning table on side can cause damage to legs

2 People Required 

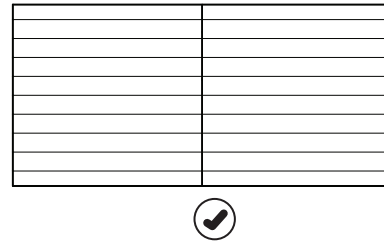
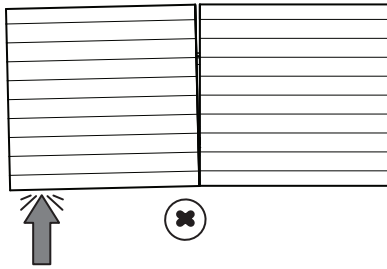
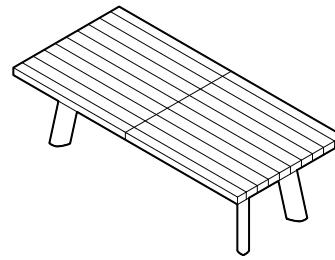
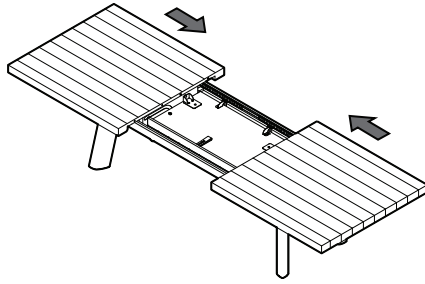
## Troubleshooting Guide: Aligning Table Top

Instructions Applicable for:



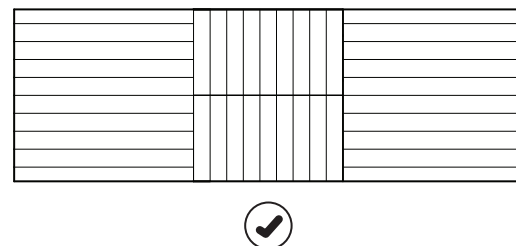
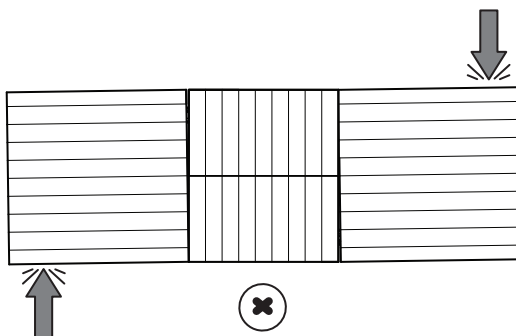
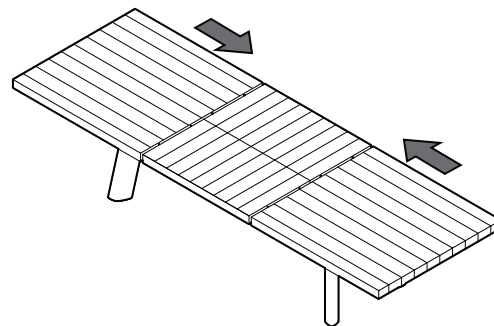
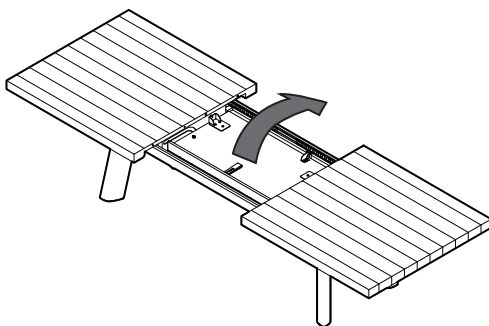
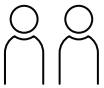
1

### How to Correct Table Top Alignment



2

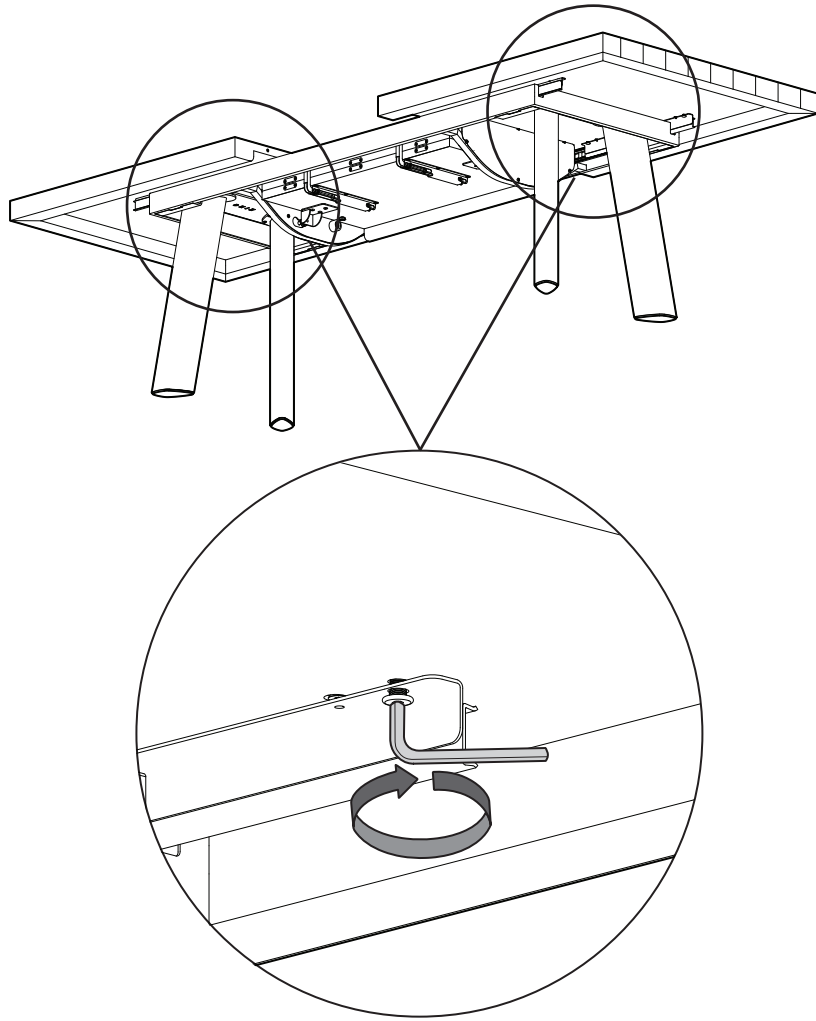
### Correcting Extension Foldout Alignment



Completely open table, push ends inward and hold whilst second person tightens bolt completely

3

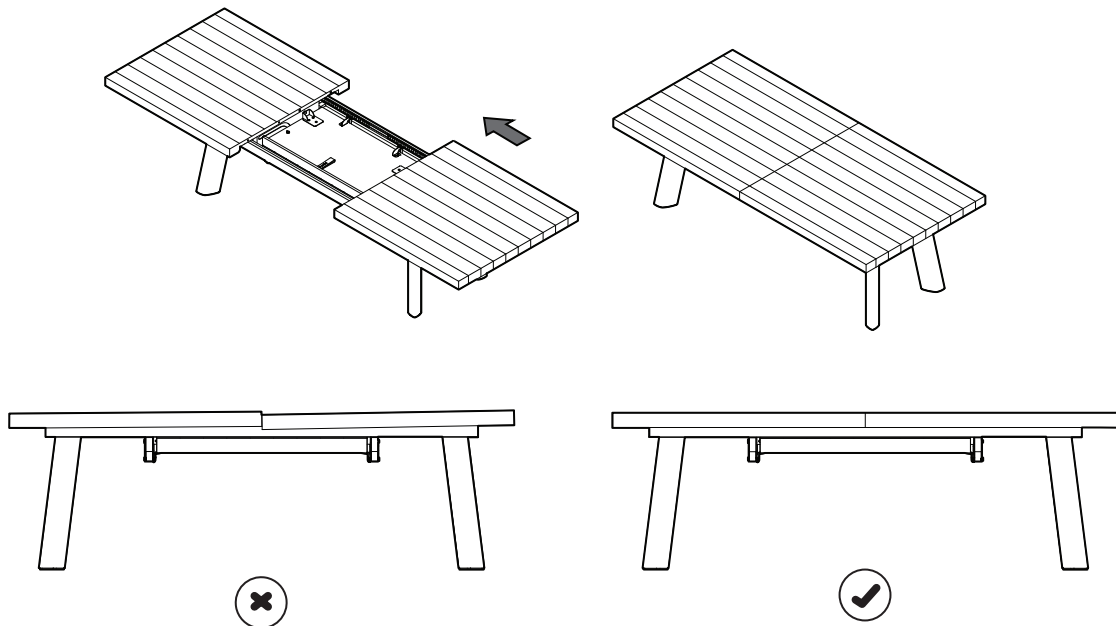
### Securing Table Top Alignment



Note: Tighten bolts firmly

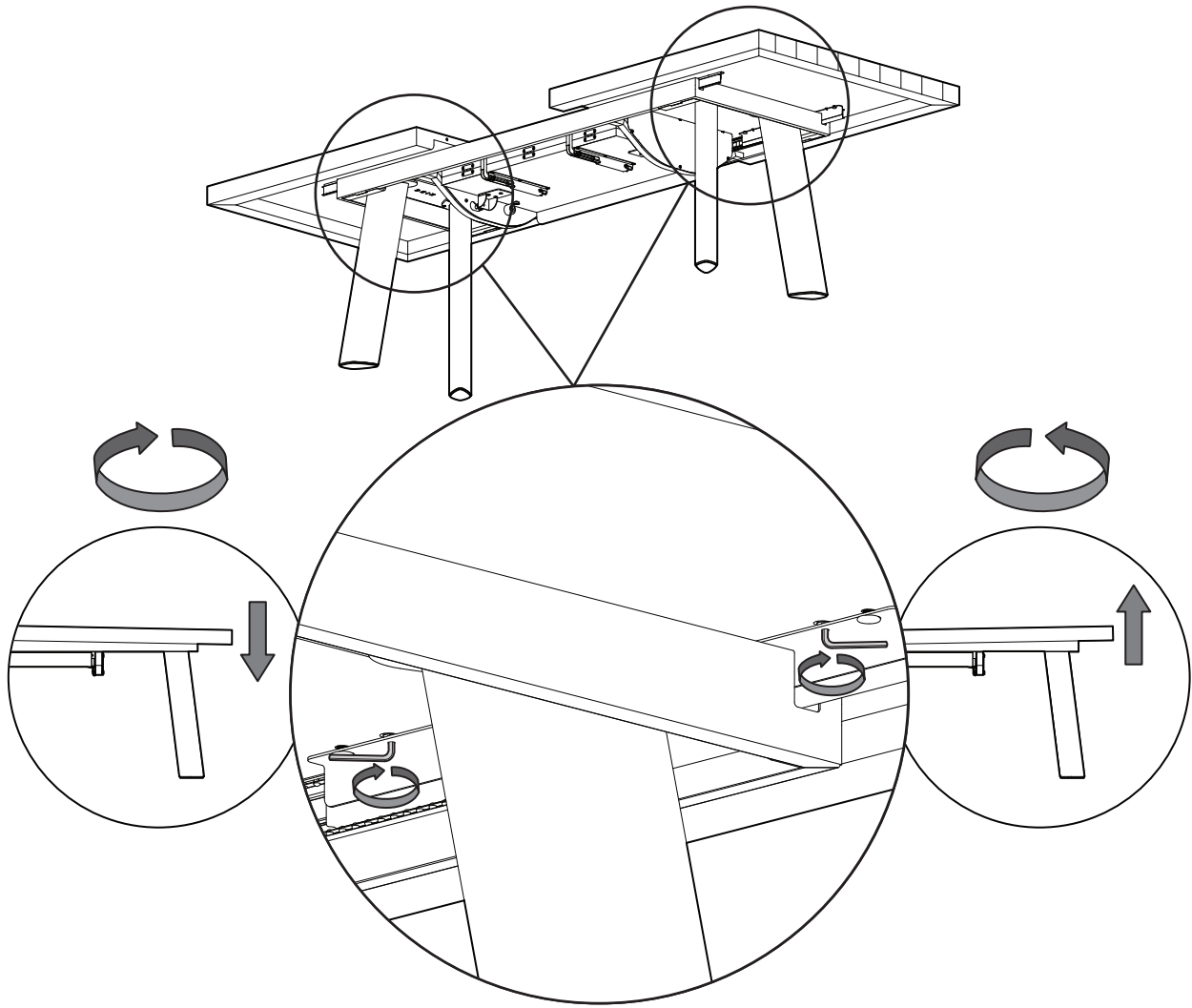
4

### Correcting Table Top Levels When Closed



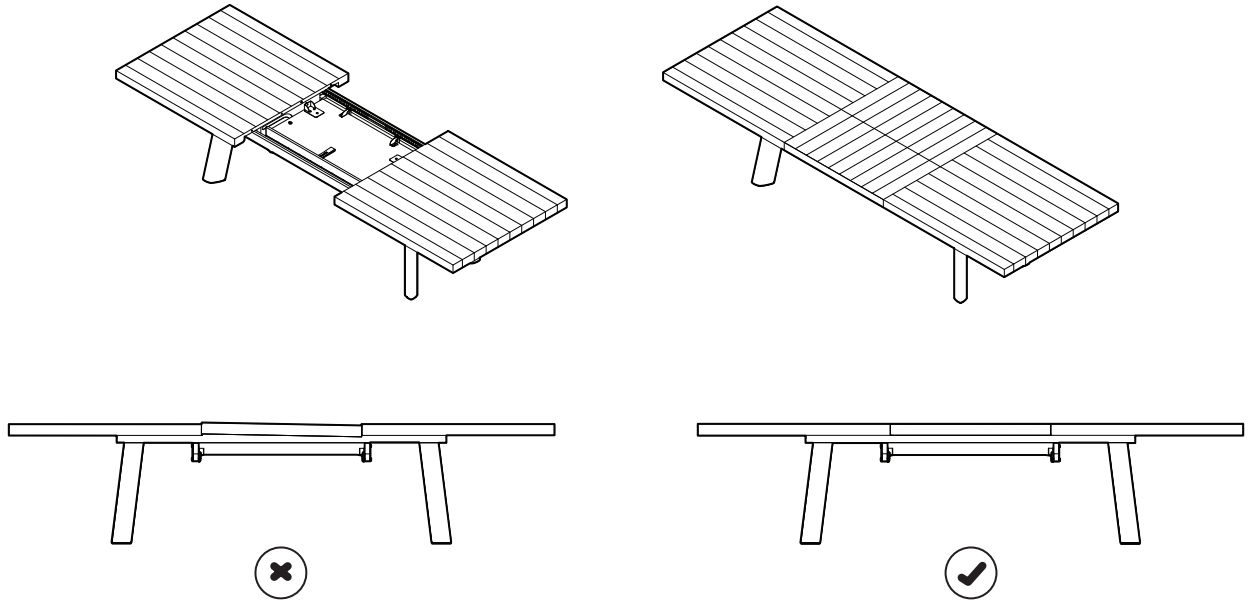
5

### Correcting Table Top Levels When Closed



6

### Correcting Table Top Levels When Extended



7

### Correcting Table Top Levels When Extended

