

Myco Leather Table

Assembly | User Guide

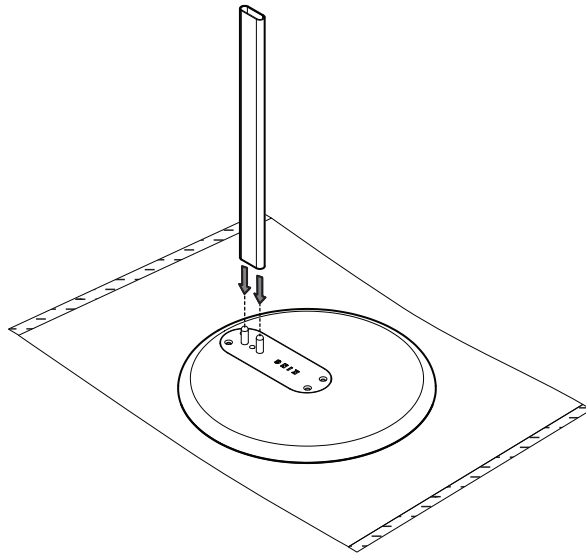
Two people are required for safe assembly

Opening Boxes:

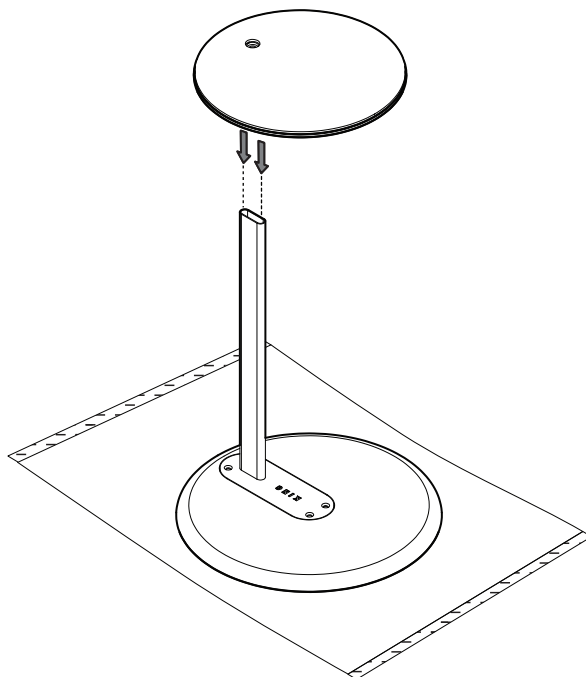
DO NOT use a knife to open the packaging as you may damage your furniture.
Peel off the tape, then lift & separate the cardboard flaps to open.

Assemble your furniture by following the instructions below.

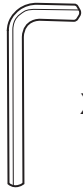
1



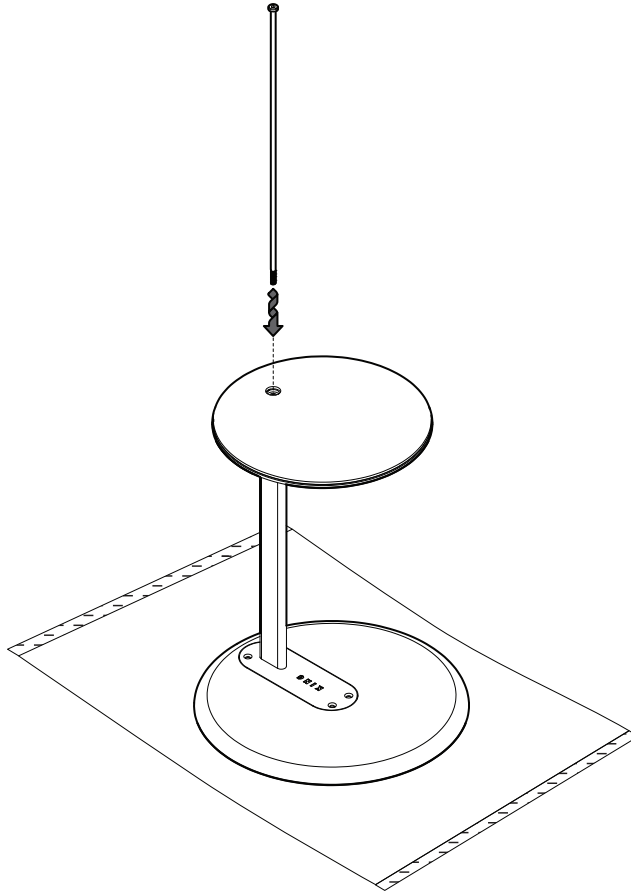
2



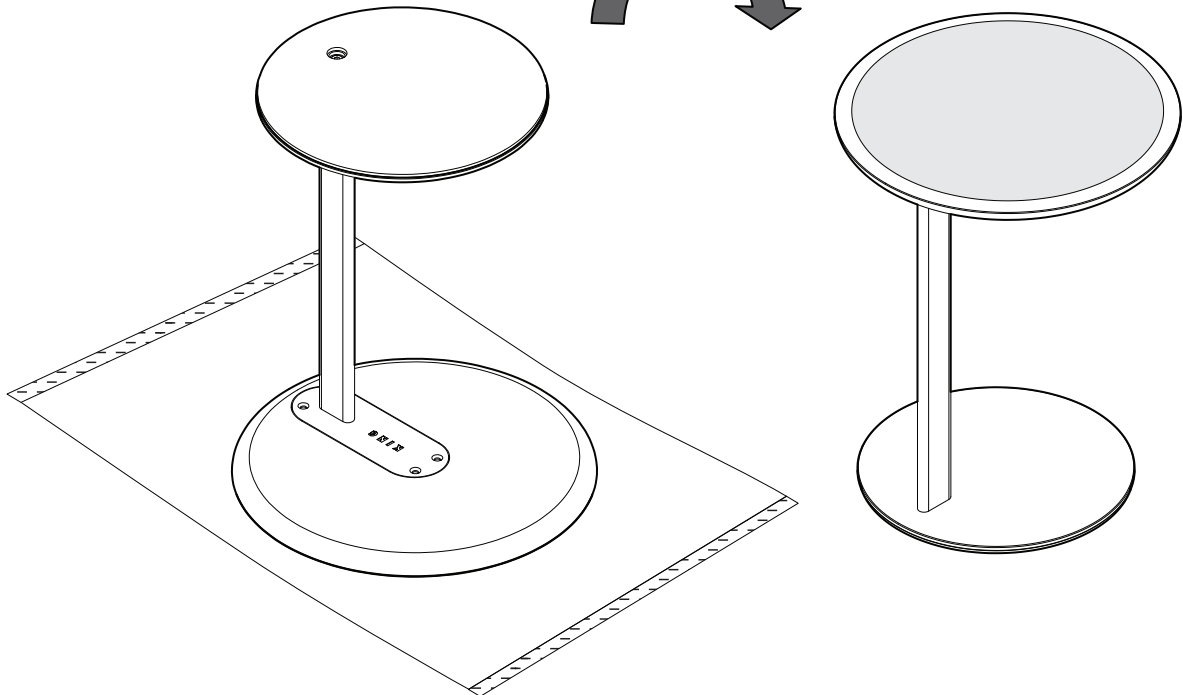
3



x1

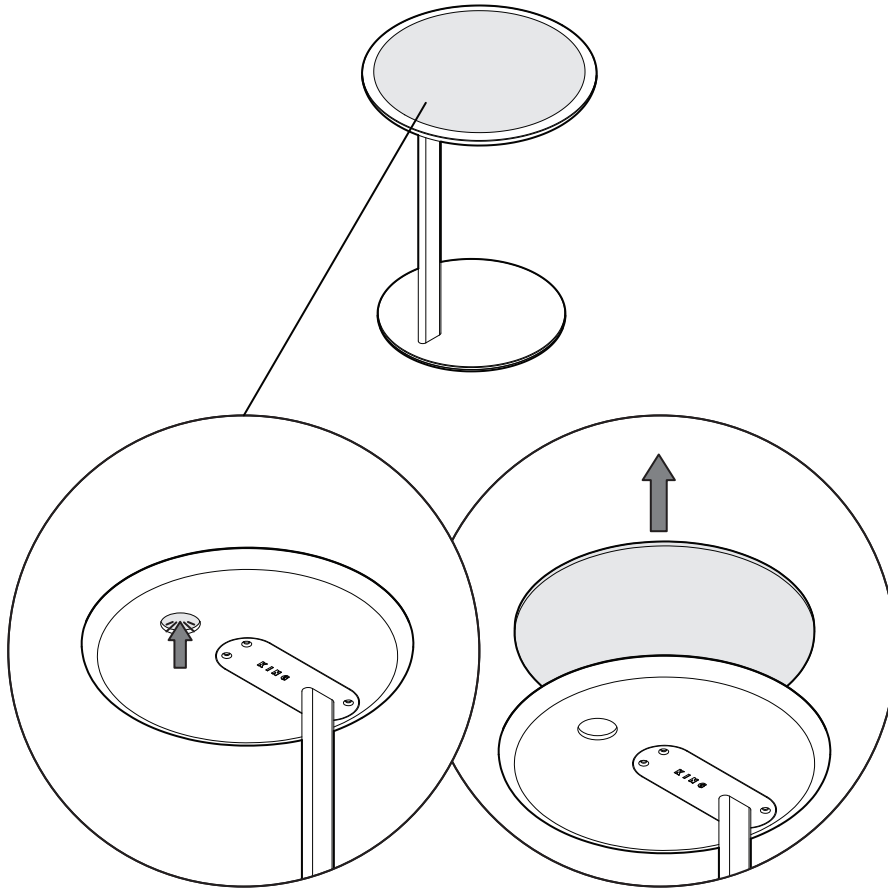


4



5

Leather Replacement



6

